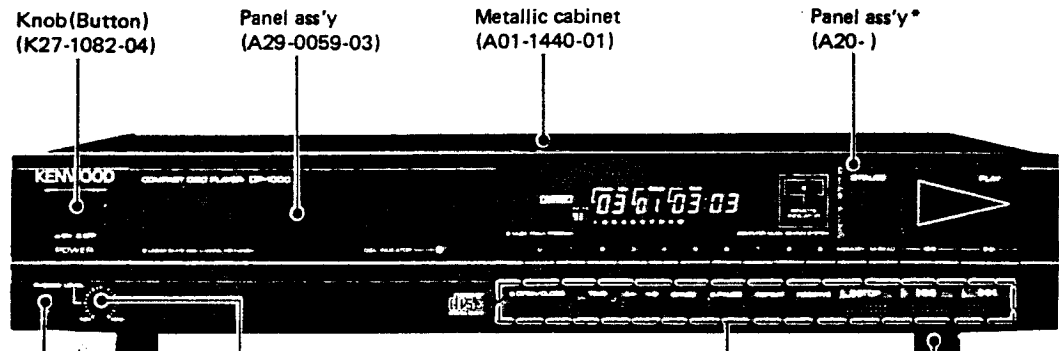


KENWOOD

DP-1000

COMPACT DISC PLAYER



Knob(Button)
(K27-1082-04)

Panel ass'y
(A29-0059-03)

Metallic cabinet
(A01-1440-01)

Panel ass'y*
(A20-)

Phone jack
(E11-0104-15)

Knob
(K29-2201-04)

RTV servis Horvat

Kešinci, 31402 Semeljci

031-856-139

031-856-637

098-788-319

rtv-servis-horvat@os.tel.hr

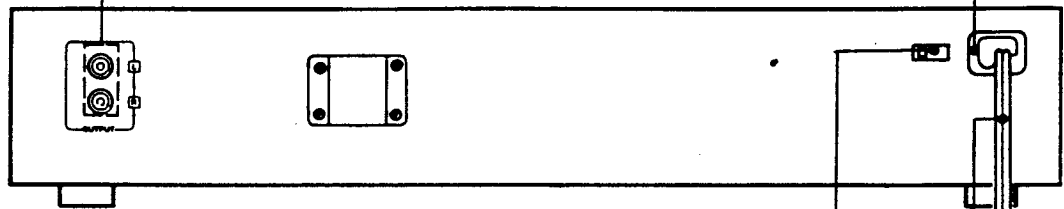
Croatia

Knob ass'y
(K29-2209-03)

Foot
(J02-0126-05)

Phono jack
(E13-0226-05)

Power cord bushing
(J42-0083-05)



Slide switch*
(S31-)

AC power cord*
(E30-)

In compliance with Federal regulations, following this reproduction, all labels on or inside the product relating to laser product safety.

THE KENWOOD Corporation certifies that this equipment conforms to CEHS R-101 for Class 1 Laser Product Safety Standard.

DANGER - Laser radiation may cause eye injury. Avoid direct exposure to beam.

THE QUALITY OF
THIS MANUAL IS
THE BEST THAT
IS AVAILABLE

*Refer to parts list on page 16.



DISASSEMBLY FOR REPAIR

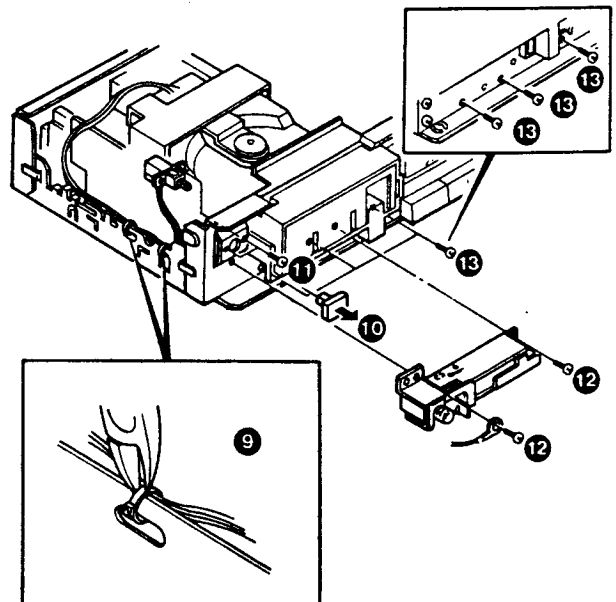
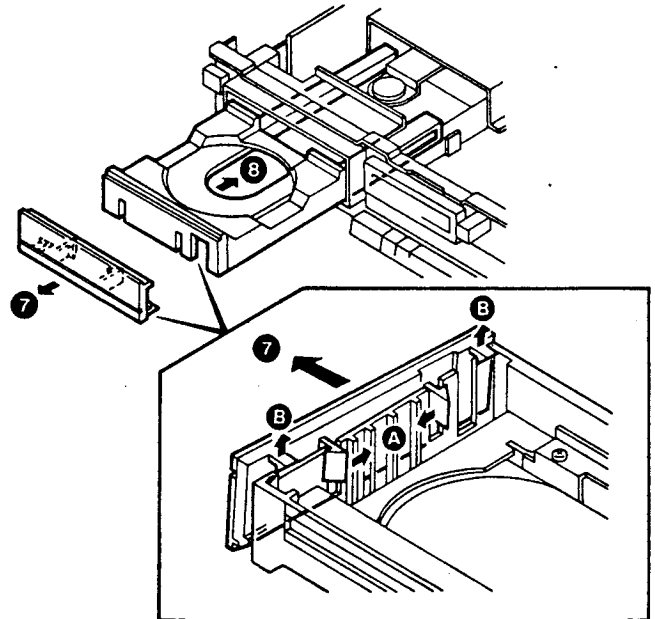
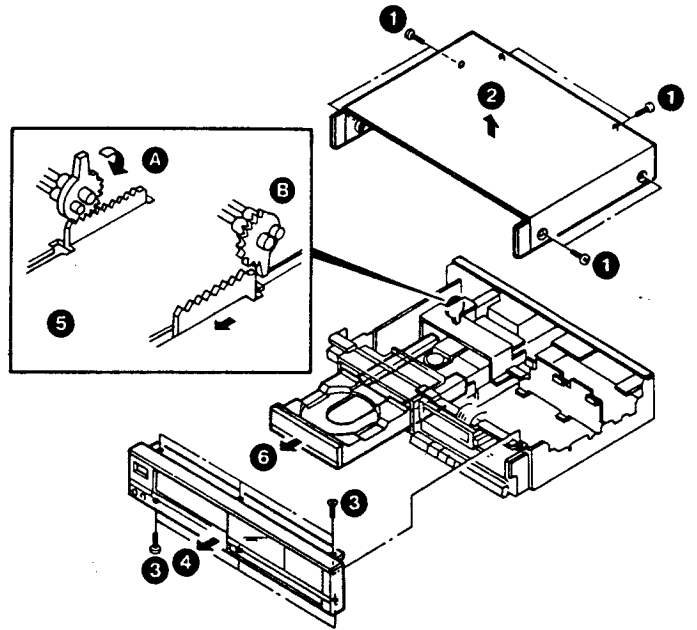
MECHANISM DISASSEMBLY PROCEDURE

Note : The AC cord must be pulled off before starting the following procedure.

1. Remove the case (1 , 2).
2. Remove the six set screws at the top and bottom of the front panel (3). (The top three screws are flat pan-head screws.)
3. Slowly remove the panel toward you (4).
4. Turn the stem of the gear located at the rear left as indicated (toward A until it stops at the bottom (see B). This drives the tray toward you (5).
5. Slowly pull the tray out toward you (6).

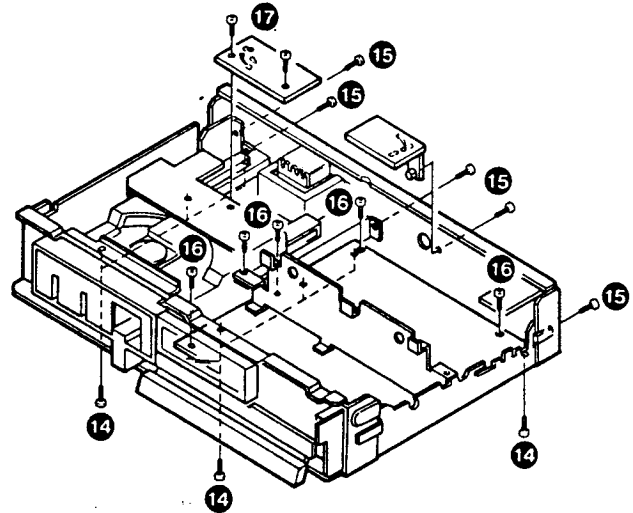
6. Push in the tray panel clamping hooks as indicated by A and B to remove tray panel (7).
7. After removing the tray panel, slowly push back the tray into the set (8).

8. Cut the wire clumper, loosen the two set screws of the power switch knob, and then remove the power switch from the chassis (9 , 10 , 11).
9. Remove the headphone board from the front bottom of the tray (12 , 13).

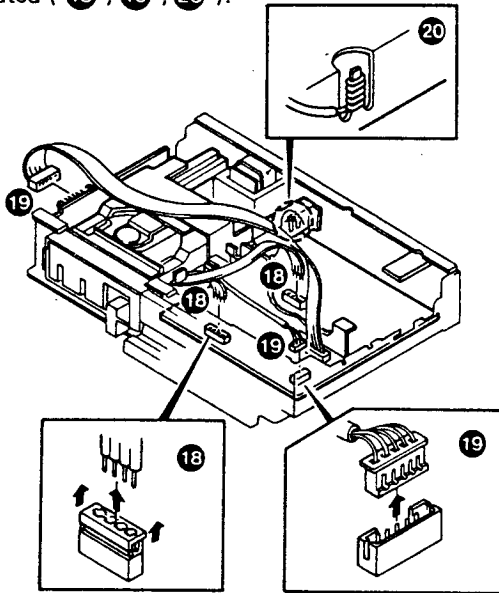


DISASSEMBLY FOR REPAIR

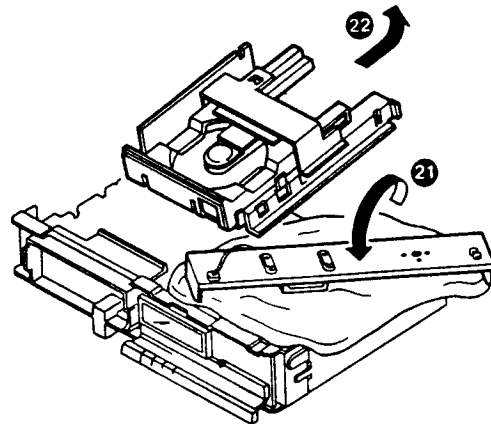
10. Remove the mechanism set screws, some of the back-panel and circuit board set screws (14 , 15 , 16 , 17).



11. Remove the cable connectors and wrapping, which connect the mechanism to other circuit boards, as illustrated (18 , 19 , 20).



12. Cover the set with a piece of cloth and put the back panel on it (21). Then, slowly pull the mechanism off backward (22).

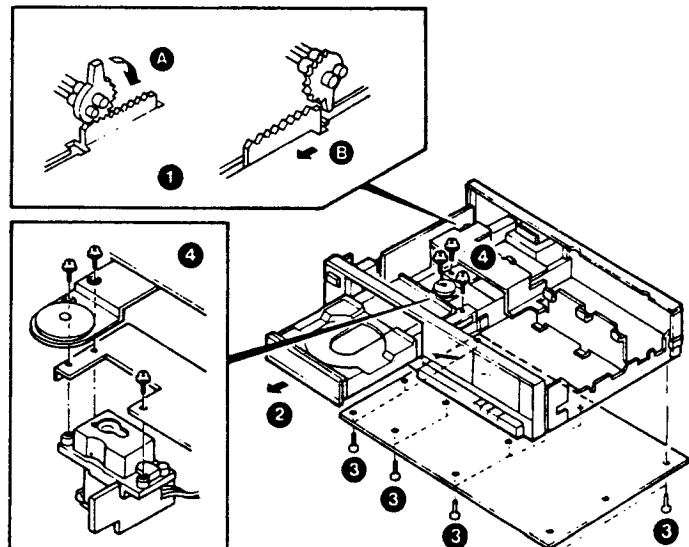


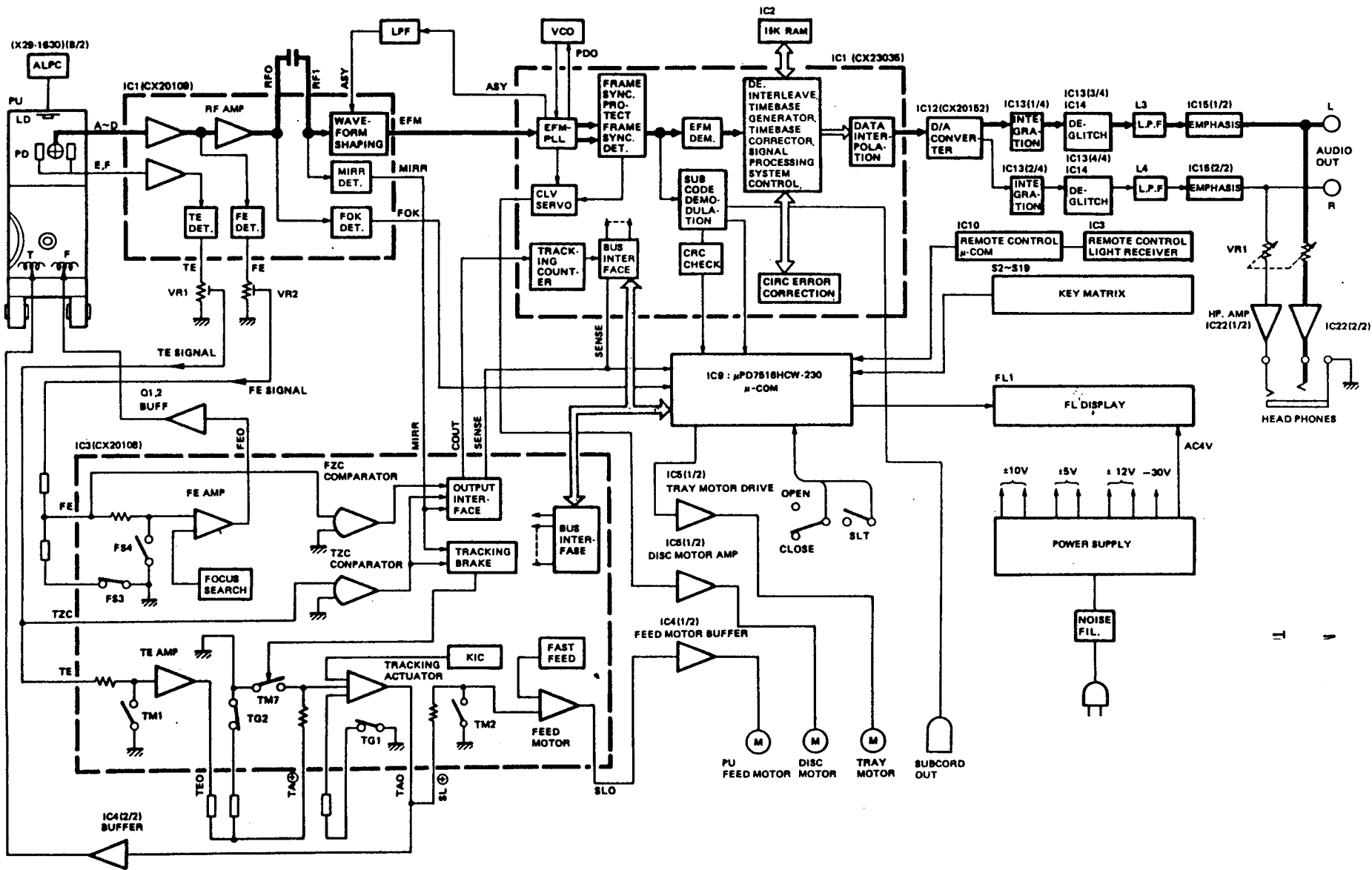
LASER PICKUP DISASSEMBLY PROCEDURE

1. Turn the rear left gear stem as indicated by **A** to the bottom **B** ; similarly to the mechanism disassembly procedure (1), and pull the tray off toward you (2).
2. Remove the bottom plate set screws (3).
3. Remove the three screws setting the laser pickup to the mechanism (4).

Note : The laser pickup should not be removed unless it is determined to be malfunctions.

When mounting a new laser pickup, all possible anti-electrostatic measures should be taken (against the work desk, human body, and soldering iron, etc.). The laser diode short pin should be remained attached until immediately before the set is operated as far as possible. A failure to observe any of these precautions may shorted the laser diode life, resulting in a malfunction of the set in a shorter period.





BLOCK DIAGRAM

CIRCUIT DESCRIPTION

Description of components

CONTROL CIRCUIT UNIT (X29-1632-72)

Components	Purpose/Function	Operation/Condition/Compatibility
IC1	3-beam light PU pre-amplifier	Generates a focus error signal, a tracking error signal, and an RF signal. This also provides a phase and an automatic symmetry correction capabilities. (See the DP-2000 Service Manual for details.)
IC3	Remote control pre-amplifier	Amplifies and converts the infra-red signal input from the infra-red diode to a digital signal (0V~5V).
Q1	IC1 FOK current amplifier	Used as an emitter follower to serve as an FOK current amplifier.
Q4	FL driving transistor	Used as an emitter follower to supplement the current of the output port to the microprocessor.
Q5	FOK buffer	FOKS signal current amplifier

PROCESSOR UNIT (X32-1050-11)

Components	Purpose/Function	Operation/Condition/Compatibility
IC1	Signal processing IC	Provides EFM demodulation, synchronizing separation, error correction, CLV servo, and PLL. (See the DP-2000 Service Manual for details.)
IC2	Memory S-RAM	Compatible with the following IC products : CXX5816M (Sony), HM6116FP-4 (Hitachi), MB8416-20LPF (Fujitsu), and TC5517AF-2 (Toshiba).
IC3	Servo IC	Generates "search" pulses for addressing the focus servo, tracking servo, or drive motor servo. (See the DP-2000 Service Manual for details.)
IC4	Power operational amplifier	Tracking actuator driver (2/2) and feed motor driver (1/2).
IC5	Power operational amplifier	Disc motor driver (1/2) and tray motor driver (1/2).
IC6	Operational amplifier	CLV servo amplifier (2/2) and PLL amplifier (1/2).
IC7	C-MOS NAND GATE	Used as invertors (1/4, 3/4, and 4/4) and a clock selector (2/4). When pin 3 of IC9 (CHNG) is "H", the clock selector feeds WFCK from pin 25 of IC1 to pin 9 of IC9 (SCK). When "L", it feeds clock SCK from pin 9 of IC9 to the CLK inputs of KC1 and IC3.
IC8	C-MOS 4-bit data selector	When pin 58 of IC9 (AKEY) is "L", this selector inputs data from IC10; the remote control microprocessor to K0 through K3 of IC9. When "H", it inputs the scan input from the tact switch to K0 through K3 of IC9.
IC9	Main microprocessor	Controls display and DP-1000 set operation.
IC10	Remote control microprocessor	When the data from the remote control preamplifier agrees with the custom code of the set, this processor informs the main microprocessor IC9 that the data has arrived and then transfers the data to it.
IC11	Reset IC	This IC resets the set by maintaining its output (pin 3) at "L" until the input voltage (pin 1) rises up to 4.4V±0.2V after the set is turned on. Capacitor 7 (3.3μF) determines the duration of the reset signal.
IC12	D/A converter	Provides the same function as CX20017 but cannot be replaced with CX20017. (See the DP-2000 Service Manual for details.)
IC13	FET input operational amplifier	DAC output I-V conversion (1/4, 2/4) and sample holding (3/4, 4/4).
IC14	C-MOS analog switch	Used as the switch for the sample holding circuits.
IC15	Operational amplifier	Functions as a de-emphasis circuit and an output amplifier.
IC16	3-terminal regulator	Supplies the +5V source to the digital and servo system.
IC17	3-terminal regulator	Supplies the -5V source to the servo system.
IC18	3-terminal regulator	Supplies the +12V source to the DAC system.
IC19	3-terminal regulator	Supplies the -12V source to the DAC system.
IC20	3-terminal regulator	Supplies the -5V source to the DAC system.
IC21	3-terminal regulator	Supplies the +5V source to the DAC system.
IC22	Headphone amplifier	
Q1,Q2	Focus driver	Current buffer for the output of the focus servo amplifier IC3.
Q3	Inverting level shifter	Inverts the MON output of IC1, shifting the level from "L" to -12V and "H" to +5V.
Q4	Switch	Lowers the ASY terminal of CN8 to -12V to disable the automatic symmetry circuit when the MON output of IC1 is "L". This transistor is disabled when the MON terminal is "H".
Q5	Switch	This FET transistor removes the offset from IC5 (1/2) to disable the disc motor when the MON output of IC1 is "L". When the MON terminal is "H", it is open.

CIRCUIT DESCRIPTION

Components	Purpose/Function	Operation/condition/compatibility
Q6	Constant-voltage circuit	Constant-voltage circuit supplying the power to the PU ALPC. The output (emitter) is -9V.
Q7	Switch	This circuit turns on/off the PU laser by controlling the base potential of Q6 via the LDC output of IC9 (pin 1). It turns the laser on when LDC is "H", and turns the laser off when "L".
Q8	Transient LED turning-on prevention circuit	Prevents the remote controlling LED from turning on when power is turned on or off. This transistor is in conduction (on) while the reset ("L") signal from IC11 is active ("H").
Q9	De-emphasis circuit inverter	Inverts the emphasis signal from the microprocessor IC9 (pin 64).
Q10	De-emphasis circuit level shifter	Shifts the emphasis signal level from the microprocessor IC9 (pin 46) from "H" to +12V and "L" to -12V.
Q11	Muting relay driver	When the $\overline{R-MUT}$ output from IC9 (pin 2) is "H", this transistor turns on, disabling muting. When "L", it turns off, enabling muting.
Q12	Constant-current FET	This FET generates the reference potential for the current to be supplied to one DAC set. It is used in conjunction with D35 to provide a drain voltage of approximately +2.5V.
Q13	Constant-current FET	Determines the DAC bias current.
Q14,Q15	Discharge FET's	Functions as the switch to discharge the charge stored in the DAC output I-V conversion capacitor.
Q16,Q17	De-emphasis switch	These FET's functions as a switch to insert or remove a de-emphasis constant in parallel with the IC15 feedback resistor.

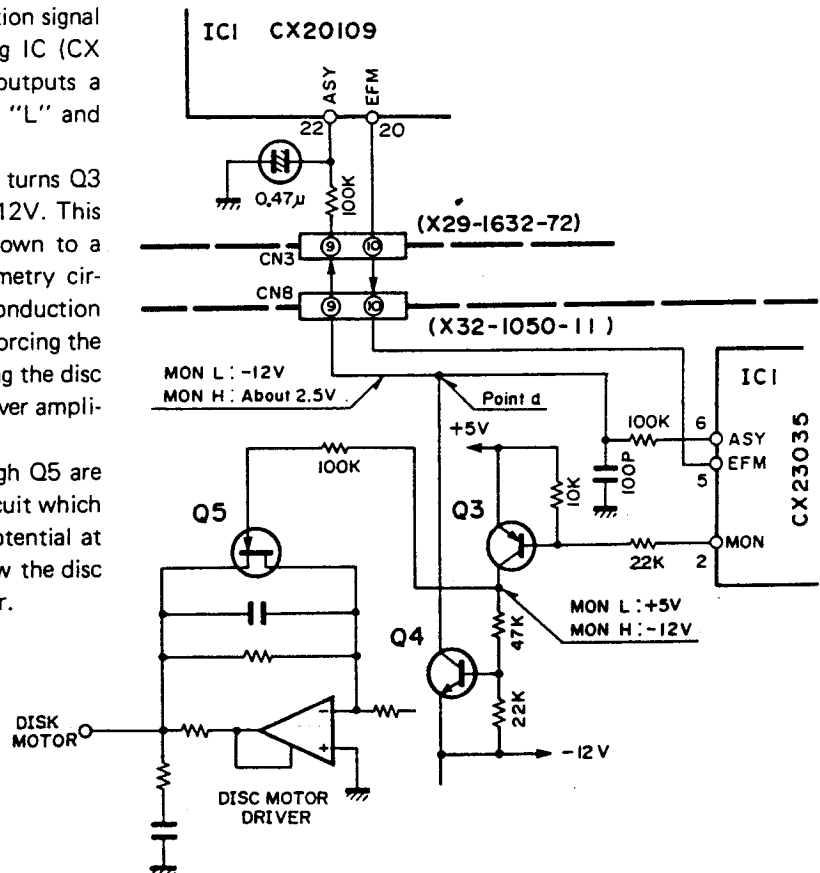
Circuit Operation Descriptions

EFM Signal inout inhibiting circuit

The DP-1000 uses the disc motor drive instruction signal to input the EFM signal to the signal processing IC (CX23035). The MON terminal of the CX23035 outputs a signal which disables the disc motor when it is "L" and drives the disc motor when it is "H".

"L" at the MON terminal turns Q3 on which turns Q3 on in turn, lowering the voltage at point a to -12V. This also pulls the ASY terminal of the CX20109 down to a negative potential, disabling the automatic symmetry circuit and fixing the EFM terminal at "H". Q3 in conduction also keeps Q5 in conduction or in the on state, forcing the disc motor driver output at 0V and thus preventing the disc motor from being turned by the offset of the driver amplifier.

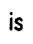
When the MON terminal rises "H", Q3 through Q5 are turned off, enabling the automatic symmetry circuit which supplies the EFM signal to the CX23035. The potential at point a rises up to approximately +2.5V to allow the disc motor driver to feed the drive voltage to the motor.



CIRCUIT DESCRIPTION

Remote control/Key data switching circuit

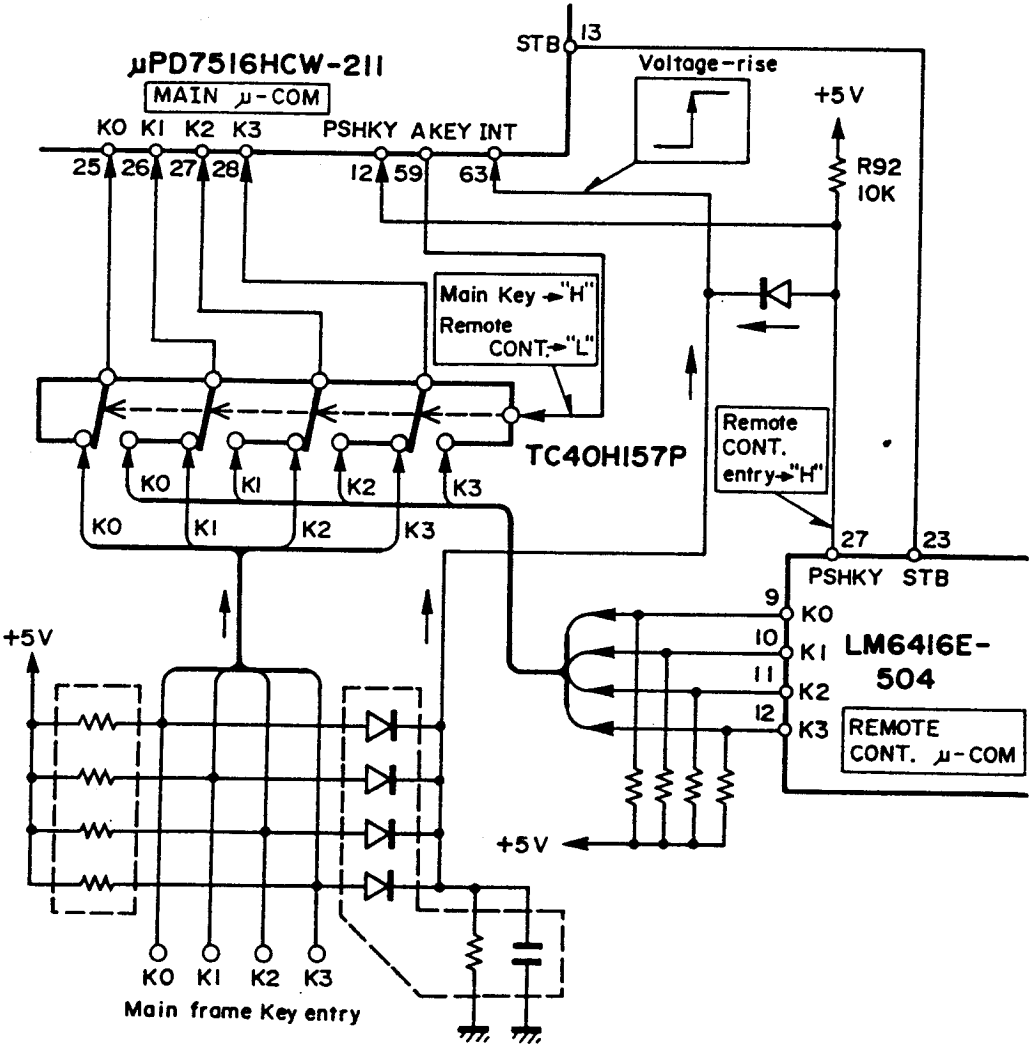
To inform the main microprocessor (μ PD7516HCW) that any instruction has arrived from a main frame key or the remote control microprocessor, a signal voltage rise edge must be given to its INT terminal (pin 63). When a main frame key is pressed, some of K0 through K3 rises which are fed to the INT terminal through the composite element diodes. When the remote control microprocessor receives any remote control data, it determines what the data is and raises its PSHKY terminal from "L" to "H". This change is transmitted to the INT terminal of the main microprocessor through a diode.

When a voltage rise edge () is received at its INT terminal, the main microprocessor check to find if the PSHKY terminal is "H". If it is, the main microprocessor determines that the instruction is from the remote control

microprocessor. Otherwise, it determines that the instruction is from a main frame key.

Through a PSHKY logic, the main microprocessor gives an instruction ("H" when the instruction is from a main frame key or "L" otherwise) to the TC40H157P data selector via the AKEY terminal. According to this instruction, the data selector properly routes the data from the main frame key or the remote control microprocessor.

Data from a main frame key is input to the main microprocessor through a key scan. When receiving data from the remote control microprocessor, the main microprocessor sends a clock signal to the remote control microprocessor which responds with a timing signal via the STB terminal. The main microprocessor strobes the data in by using the timing clock available at its STB terminal.



ADJUSTMENT

I
T

No.	ITEM	INPUT SETTING	OUTPUT SETTING	PLAYER SETTING	ALIGNMENT POINT	ALIGN FOR	FIG
1	VCO ADJUSTMENT	-	Connect an f-counter across TP11 and GND.	Tray open, or stop mode	Turn core of coil of L1 of X32-1050(A/4)	4.23MHz	(a)
2	LASER POWER CHECK (When PU may be defective)	-	Set an optical power meter above the pickup.	Tray - open. Connect the base of Q7 of X32-1050(A/4) to the GND.	-	OK if from 200 μ V to 300 μ V.	(b)
3	LASER OPERATING CURRENT CHECK (When PU may be defective)	-	Measure the voltage across two ends of R4 of X32-1050(A/4).	Tray - open. Connect the base of Q7 of X32-1050(A/4) to the GND.	-	Acceptable when larger by 5 to 6mA then the current marked on the pickup.	(c)
4	RF OFFSET ADJUSTMENT	-	Connect an oscilloscope to TP2(RF) of X29-1632(B/6). Connect the scope's GND to TP1(GND).	Tray open, or stop mode.	Turn VR5 of X29-1632(B/6). (RF OFFSET)	Adjust to -0.60(V).	(d)
5	TEST MODE SETUP	Place test disc Type 3 on the tray and set the unit to the loaded condition.	Short-circuit between TP12 and TP13 of X32-1050(A/4).	Turn POWER SW OFF then ON again.	-	Check that the display is "01 00:00"	(e)
6	TANGENTIAL SETTING	Place test disc Type 3 on the tray and set the unit to the loaded condition.	Connect and oscilloscope to TP2(RF) of X29-1632(B/6).	Press M-READ, and laser is focused. (In the test mode.)	Hex socket screw below mechanism	Maximum amplitude	(d)
7	FOCUS OFFSET COARSE ADJUSTMENT	Place test disc Type 3 on the tray and set the unit to the loaded condition.	Connect and oscilloscope to TP2(RF) of X29-1632(B/6).	Press M-READ, and laser is focused. (In the test mode.)	Turn VR3 of X29-1632(B/6).	Maximum amplitude	(d)
8	DIFFRACTION GRID ADJUSTMENT (PU)	Place test disc Type 3 on the tray and set the unit to the loaded condition.	Connect CH1 of oscilloscope to TP2(RF) of X29-1632(B/6), and CH2 to TP3(TE).	Press M-READ, and laser is focused. (In the test mode.)	Pickup adjusting hole- Use the grid driver.	See Fig. 1.	(f)
9	T. ERROR BALANCE COARSE ADJUSTMENT	Place test disc Type 3 on the tray and set the unit to the loaded condition.	Connect CH1 of oscilloscope to TP2(RF) of X29-1632(B/6), and CH2 to TP3(TE).	Press M-READ, and laser is focused. (In the test mode.)	Turn VR4 of X29-1632(B/6).	Adjust so that the T. ERROR amplitude is symmetrical above and below 0(V). (Photo 5)	(f)
10	TANGENTIAL AND FOCUS OFFSET FINE ADJUSTMENTS	Place test disc Type 3 on the tray and set the unit to the loaded condition.	Connect and oscilloscope to TP2(RF) of X29-1632(B/6).	Press the PLAY Key. (The unit starts the trace operation.) (In the test mode.)	VR3 of X29-1632(B/6), and hex socket screw above mechanism	Alternately turn VR3 and hex socket screw to obtain optimum waveform.	(d)
11	T. ERROR BALANCE FINE ADJUSTMENT	Place test disc Type 3 on the tray and set the unit to the loaded condition.	Connect CH1 of oscilloscope to TP2(RF) of X29-1632(B/6), and CH2 to TP3(TE).	Press the M-READ Key (with focus servo only). (In the test mode.)	Turn VR4 of X29-1632(B/6).	Adjust so that the T. ERROR amplitude is symmetrical above and below 0(V). (Photo 5)	(f)
12	FOCUS GAIN ADJUSTMENT	Place a test disc which is as flawless as possible, and complete loading.	Connect a servo-adjusting jig to CN4 of X29-1632. (f=1.0kHz, V OUT=40mVrms)	Turn POWER SW OFF then ON again, and press the PLAY key to start normal play.	Turn VR2 of X29-1632(B/6).	Adjust so that the millivoltmeter connected to the jig indicates 40mVrms.	(g)
13	TRACKING GAIN ADJUSTMENT	Place a test disc which is as flawless as possible, and complete loading.	Connect a servo-adjusting jig to CN4 of X29-1632. (f=1.0kHz, V OUT=40mVrms)	Normal play	Turn VR1 of X29-1632(B/6).	Adjust so that the millivoltmeter connected to the jig indicates 40mVrms.	(g)
14	DAC ADJUSTMENT	Test disc YDS-7 Type 3	Connect a millivoltmeter to the output terminal.	Play 1kHz, 0dB signal.	VR2 of X32-1050(A/4).	Adjust to obtain the output level from 1.9 to 2.0Vms.	(h)

ADJUSTMENT

Diffraction grid adjustment

Adjust in the test mode (with focus servo only)

Note: The test mode is the condition in which power is turned on after short-circuiting between TP12 (TEST-12) and TP13 (D.GND-13) in the signal processing unit (X32-1050-00) (A/4).

For details, refer to the DP-2000's service manual.

For Service Manuals Contact
MAURITRON TECHNICAL SERVICES
 8 Cherry Tree Rd, Chinnor
 Oxon OX9 4QY
 Tel:- 01844-351694 Fax:- 01844-352554
 Email:- enquiries@mauritron.co.uk

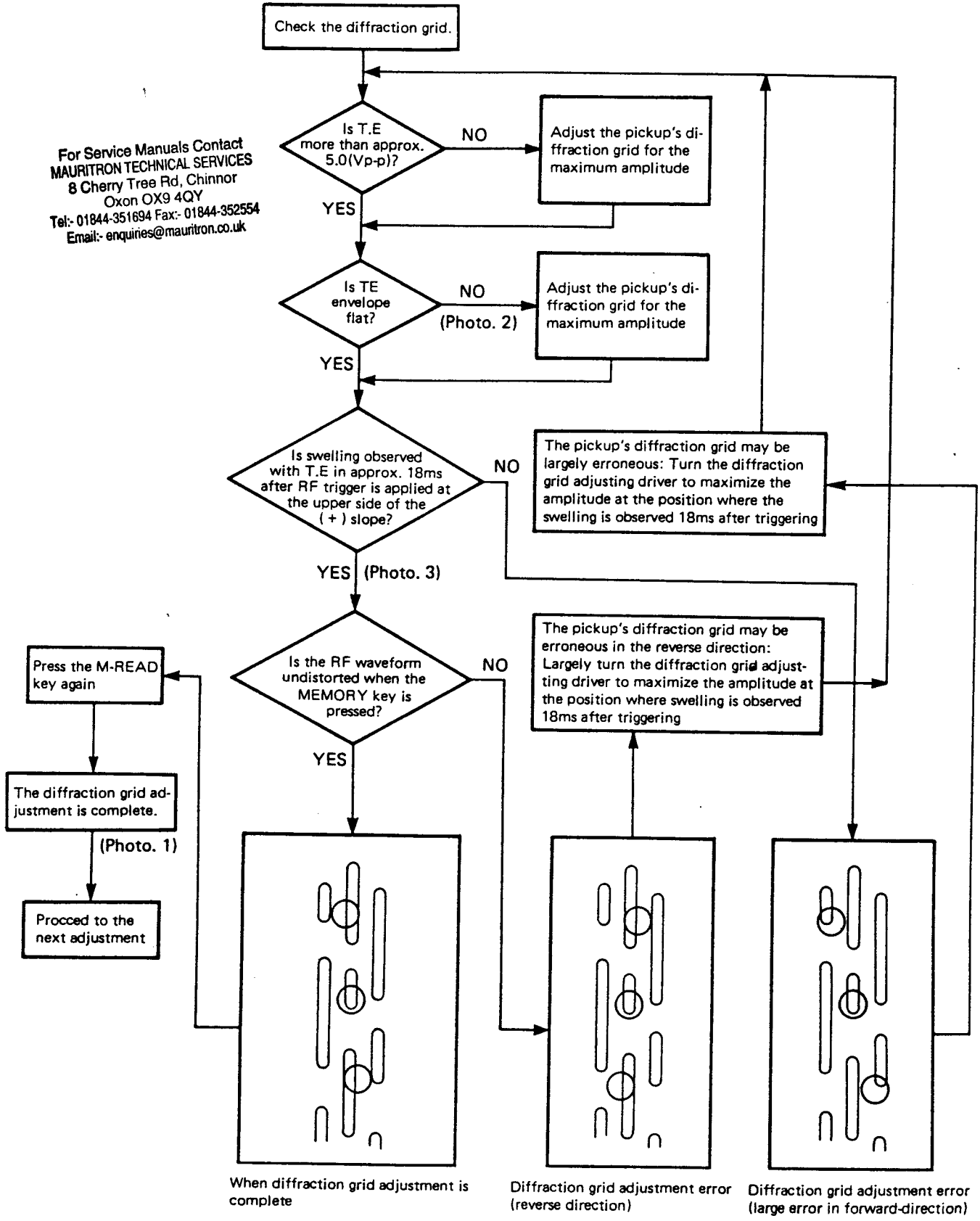


Fig. 1

REGLAGE

N°	ITEM	REGLAGE D'ENTREE	REGLAGE DE SORTIE	REGLAGE DE LA LE CTURE	POINT D'ALIGNEMENT	ALIGNEMENT POUR	FIG
1	RÉGLAGE VCO	-	Raccorder un compteur f entre TP11 et GND	Tiroir ouvert ou mode d'arrêt	Tourner le noyau de bobine de L1 de X32-1050(A/4)	4.23MHz	(a)
2	VÉRIFICATION DE PUISSANCE DE LASER (Quand PU peut être défectueux)	-	Placer un compteur de puissance optique au-dessus du capteur	Tiroir ouvert. Raccorder la base de Q7 de X32-1050(A/4) à GND.	-	Correct si entre 200µW et 300µW.	(b)
3	VÉRIFICATION DU COURANT DE FONCTIONNEMENT DU LASER (Quand PU peut être défectueux)	-	Mesurer la tension entre les deux extrémités de R4 de X32-1050(A/4)	Tiroir ouvert. Raccorder la base de Q7 de X32-1050(A/4) à GND.	-	Acceptable si supérieur de 5 à 6mA au courant marqué sur le capteur.	(c)
4	RÉGLAGE DE SUPPRESSION HF	-	Raccorder un oscilloscope à TP2(HF) de X29-1632(B/6). Raccorder GND de l'oscilloscope à TP1(GND).	Tiroir ouvert ou mode d'arrêt.	Tourner VR5 de X29-1632(B/6). (RF OFFSET)	Ajuster sur -0.60(V)	(d)
5	MONTAGE DU MODE DE TEST	Placer un disque test de type 3 sur le tiroir et régler l'appareil en condition de chargement.	Court-circuiter entre TP12 et TP13 de X32-1050(A/4).	Placer l'interrupteur POWER OFF à nouveau sur ON.	-	Vérifier que l'affichage est "01 .. 00:00".	(e)
6	RÉGLAGE TANGENTIEL	Placer un disque test de type 3 sur le tiroir et régler l'appareil en condition de chargement.	Raccorder un oscilloscope à TP2(RF) de X29-1632(B/6).	Presser M-READ et le laser est mis au point. (En mode de test)	Vis à prise hexagonale sous le mécanisme	Amplitude maximum	(d)
7	RÉGLAGE APPROXIMATIF DE LA SUPPRESSION DE MISE AU POINT	Placer un disque test de type 3 sur le tiroir et régler l'appareil en condition de chargement.	Raccorder un oscilloscope à TP2(RF) de X29-1632(B/6).	Presser M-READ et le laser est mis au point. (En mode de test)	Tourner VR3 de X29-1632(B/6).	Amplitude maximum	(d)
8	RÉGLAGE DU RÉSEAU DE DIFFRACTION(PU)	Placer un disque test de type 3 sur le tiroir et régler l'appareil en condition de chargement.	Raccorder le CH1 d'un oscilloscope à TP2(RF) de X29-1632(B/6) et CH2 à TP3(TE).	Presser M-READ et le laser est mis au point. (En mode de test)	Trou de réglage du capteur - Utiliser l'entraîneur de réseau.	Voir la figure 1.	(f)
9	RÉGLAGE APPROXIMATIF DE LA BALANCE T.ERROR.	Placer un disque test de type 3 sur le tiroir et régler l'appareil en condition de chargement.	Raccorder le CH1 d'un oscilloscope à TP2(RF) de X29-1632(B/6) et CH2 à TP3(TE).	Presser M-READ et le laser est mis au point. (En mode de test)	Tourner VR4 de X29-1632(B/6).	Régler de manière à ce que l'amplitude T.ERROR soit symétrique en dessus et au dessous de 0(V). (Photo 5)	(f)
10	RÉGLAGES PRÉCIS DE LA SUPPRESSION TANGENTIELLE ET DE MISE AU POINT.	Placer un disque test de type 3 sur le tiroir et régler l'appareil en condition de chargement.	Raccorder un oscilloscope à TP2(RF) de X29-1632(B/6).	Presser la touche PLAY. (L'appareil commence le repérage.) (Dans le mode de test.)	VR3 de X29-1632(B/6) et vis à prise hexagonale au-dessus du mécanisme.	Tourner alternativement VR3 et la vis à prise hexagonale pour obtenir la forme d'onde optimale.	(d)
11	RÉGLAGE PRÉCIS DE LA BALANCE T.ERROR.	Placer un disque test de type 3 sur le tiroir et régler l'appareil en condition de chargement.	Raccorder le CH1 d'un oscilloscope à TP2(RF) de X29-1632(B/6) et CH2 à TP3(TE).	Presser la touche M-READ (avec asservissement de mise au point seulement). (Dans le mode de test.)	Tourner VR4 de X29-1632(B/6).	Ajuster de manière à ce que l'amplitude T.ERROR soit symétrique en dessus et au dessous de 0(V) (Photo 5)	(f)
12	RÉGLAGE DU GAIN DE MISE AU POINT	Placer un disque test le plus parfait possible et effectuer le chargement.	Raccorder un gabarit de réglage d'asservissement à CX4 de X29-1632. (f=1.0kHz. V OUT=40mVrms)	Placer l'interrupteur POWER OFF à nouveau sur ON et presser la touche PLAY pour commencer la lecture normale.	Tourner VR2 de X29-1632(B/6).	Régler de manière à ce que le millivoltmètre raccordé au gabarit indique 40mVrms.	(g)

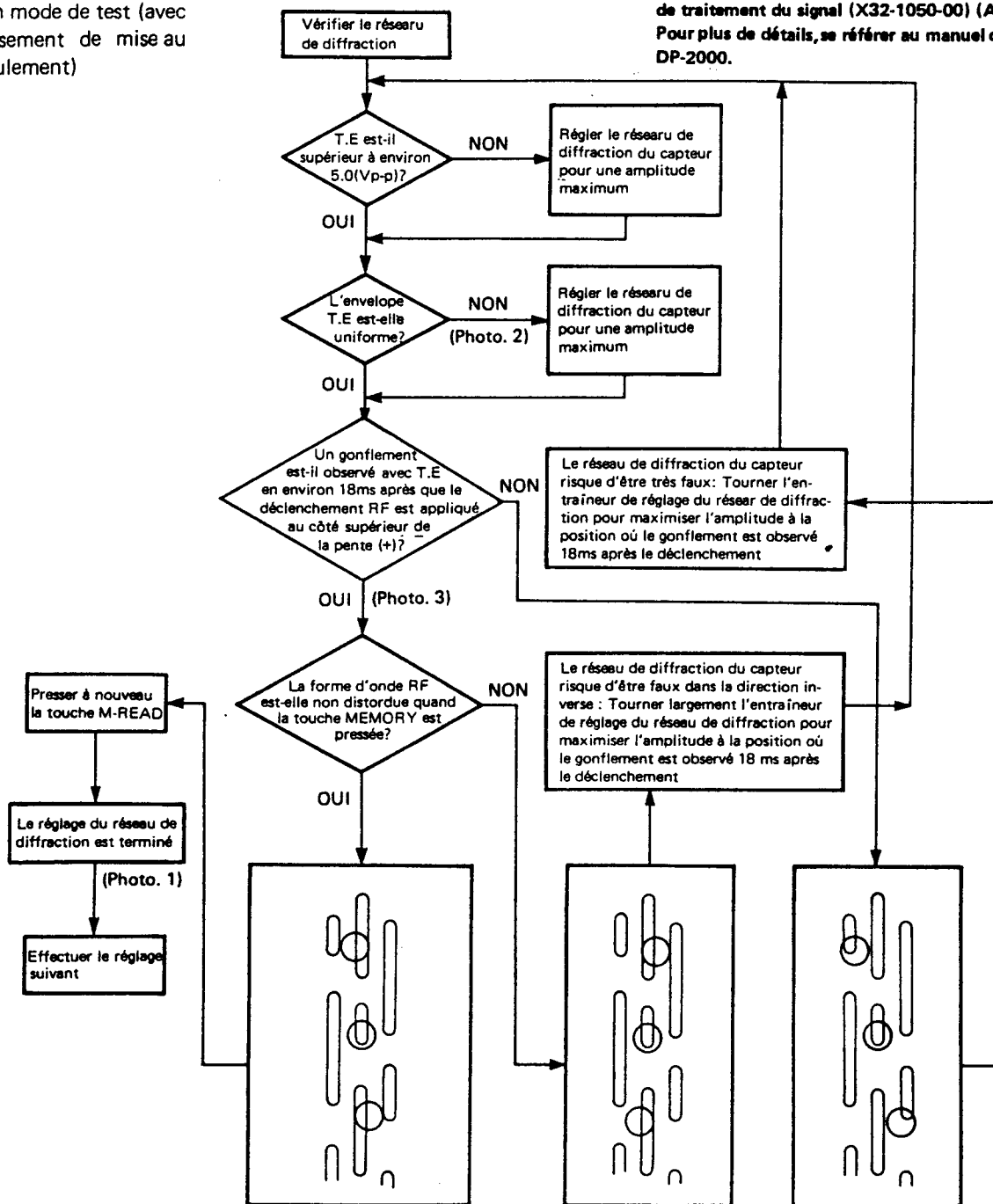
REGLAGE

N°	ITEM	REGLAGE D'ENTREE	REGLAGE DE SORTIE	REGLAGE DE LA LECTURE	POINT D'ALIGNEMENT	ALIGNEMENT POUR	FIG
13	RÉGLAGE DU GAIN D'ALIGNEMENT	Placer un disque test le plus parfait possible et effectuer le chargement.	Raccorder un gabarit de réglage d'asservissement à CN4 de X29-1632. (f=1,0kHz. V OUT=40mVrms).	Lecture normale	Tourner VR2 de X29-1632(B/6)	Régler de manière à ce que le millivoltmètre raccordé au gabarit indique 40mVras.	(g)
14	REGLAGE DAC	Disque test YDS-7 Type 3	Raccorder un millivoltmètre à la borne de sortie.	Lire un signal d' 1kHz, 0dB.	Tourner VR2 de X32-1632(A/4)	Régler pour obtenir un niveau de sortie entre 1.9 et 2.0Vras.	(h)

Réglage du réseau de diffraction

Régler en mode de test (avec l'asservissement de mise au point seulement)

Remarque : Le mode de test est la condition dans laquelle l'alimentation est fournie après avoir court-circuité entre TP12 (TEST-12) et TP13 (D.GND-13) dans l'appareil de traitement du signal (X32-1050-00) (A/4). Pour plus de détails, se référer au manuel d'entretien du DP-2000.



Quand le réglage du réseau de diffraction est terminé

Fig. 1

Erreur de réglage du réseau de diffraction (Direction inverse)

Erreur de réglage du réseau de diffraction (grande erreur en direction avant)

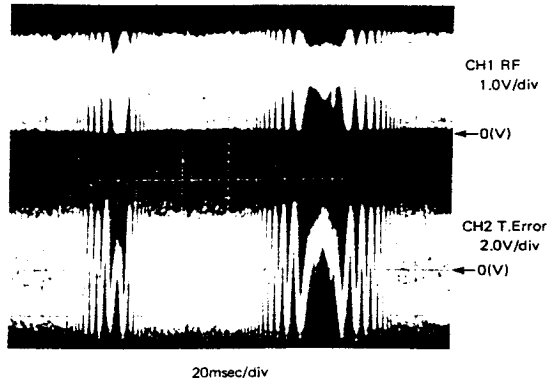
ABGLEICH

N

T

NR.	GEGENSTAND	EINGANGS-EINSTELLUNG	AUSGANGS-EINSTELLUNG	SPIELER-EINSTELLUNG	ABGLEICH-PUNKT	ABGLEICHUNG	ABB.
1	VCO-EINSTELLUNG	-	Einen Frequenzzähler zwischen TP11 und GND anschließen.	Träger geöffnet oder Stop-Betriebsart	Kern der Spule von L1 von X32-1050 (A/4) drehen	4,23MHz	(a)
2	LASERLEISTUNGS PRÜFUNG (wenn PU defekt sein könnte)	-	Einen optischen Leistungsmesser über den Tonabnehmer setzen	Träger - geöffnet. Die Basis von Q7 von X32-1050(A/4) mit GND verbinden.	-	In Ordnung wenn zwischen 200µV und 300µV.	(b)
3	LASERBETRIEBSSTROM PRÜFUNG (wenn PU defekt sein könnte)	-	Die Spannung zwischen den beiden Enden von R4 von X32-1050(A/4) messen.	Träger - geöffnet. Die Basis von Q7 von X32-1050(A/4) mit GND verbinden.	-	Akzeptierbar, wenn um 5 bis 6mA größer als der auf dem Tonabnehmer angegebene Strom.	(c)
4	HF VERSATZ EINSTELLUNG	-	Ein Oszilloskop an TP2(HF) von X29-1632(B/6) anschließen. Die Masse des Oszilloskops an TP1(GND) anschließen.	Träger geöffnet oder Stop-Betriebsart.	VR5 von X29-1632(B/6) drehen. (HF-Versatz)	Auf -0,60(V) einstellen.	(d)
5	ANSCHLÜSSE FÜR TEST BETRIEBSART	Die Test-Disc Typ 3 auf den Träger legen und das Gerät auf den geladenen Zustand einstellen.	TP12 und TP13 von X32-1050(A/4) Kurzschließen.	Netzschalter aus und danach einschalten.	-	Überprüfen, das auf dem Display "01 00 00:00" angezeigt wird.	(e)
6	TANGENTIAL EINSTELLUNG	Die Test-Disc Typ 3 auf den Träger legen und das Gerät auf den geladenen Zustand einstellen.	Ein Oszilloskop an TP2(HF) von X29-1632(B/6) anschließen.	M-READ drücken, dann wird der Laser fokussiert. (In der Test Betriebsart.)	Innensechskantschraube unter Mechanismus	Maximale Amplitude	(d)
7	FOKUSVERSATZ GROBEINSTELLUNG	Die Test-Disc Typ 3 auf den Träger legen und das Gerät auf den geladenen Zustand einstellen.	Ein Oszilloskop an TP2(HF) von X29-1632(B/6) anschließen.	M-READ drücken, dann wird der Laser fokussiert. (In der Test Betriebsart.)	VR3 von X29-1632(B/6) drehen.	Maximale Amplitude	(d)
8	BEUGUNGSGITTER EINSTELLUNG (PU)	Die Test-Disc Typ 3 auf den Träger legen und das Gerät auf den geladenen Zustand einstellen.	Kanal 1 eines Oszilloskops an TP2(HF) von X29-1632(B/6) und Kanal 2 an TP3(TE) anschließen.	M-READ drücken, dann wird der Laser fokussiert. (In der Test Betriebsart.)	Tonabnehmer Einstellöffnung Den Gitter Schraubenzieher verwenden.	Siehe Abb. 1.	(f)
9	T.ERROR BALANCE GROBEINSTELLUNG	Die Test-Disc Typ 3 auf den Träger legen und das Gerät auf den geladenen Zustand einstellen.	Kanal 1 eines Oszilloskops an TP2(HF) von X29-1632(B/6) und Kanal 2 an TP3(TE) anschließen.	M-READ drücken, dann wird der Laser fokussiert. (In der Test Betriebsart.)	VR4 von X29-1632(B/6) drehen.	So einstellen, das die T.ERROR Amplitude über und unter 0(V) symmetrisch ist. (Foto 5)	(f)
10	TANGENTIAL UND FOKUSVERSATZ FEINEINSTELLUNGEN	Die Test-Disc Typ 3 auf den Träger legen und das Gerät auf den geladenen Zustand einstellen.	Ein Oszilloskop an TP2(HF) von X29-1632(B/6) anschließen.	Die PLAY-Taste drücken. (Das Gerät startet den abtast Betrieb.) (In order Test Betriebsart.)	VR3 von X29-1632(B/6) und innensechskantschraube über Mechanismus	VR3 und die Innensechskantschraube abwechselnd drehen, um die optimale Wellenform zu erhalten.	(d)
11	T.ERROR BALANCE FEINEINSTELLUNG	Die Test-Disc Typ 3 auf den Träger legen und das Gerät auf den geladenen Zustand einstellen.	Kanal 1 eines Oszilloskops an TP2(HF) von X29-1632(B/6) und Kanal 2 an TP3(TE) anschließen.	Die M-READ-Taste drücken. (nur mit Fokusservo.) (In der Test Betriebsart.)	VR4 von X29-1632(B/6) drehen.	So einstellen, das die T.ERROR-Amplitude über und unter 0(V) symmetrisch ist. (Foto 5)	(d)
12	FOKUSVERSTÄRKUNG EINSTELLUNG	Eine Test-Disc, die so einwandfrei wie möglich sein sollte, auflegen und laden.	Eine Servo Einstellvorrichtung an CX4 von X29-1632 anschließen. (f = 1,0kHz. V OUT = 40mVrms)	Den Netzschalter aus- und wieder einschalten und die PLAY-Taste drücken, um die normale Wiedergabe zu starten.	VR2 von X29-1632(B/6) drehen.	So einstellen, das der an die Vorrichtung angeschlossene Millivoltmeter 40mVrms anzeigt.	(g)

ADJUSTMENT/REGLAGE/ABGLEICH



- RF signal and T.Error signal after completion of diffraction grid adjustment
- Signal RF et signal E.ERROR après avoir terminé le réglage du réseau de diffraction.
- HF-Signal und T.-Fehlersignal nach Beendigung der Beugungsgitter-Einstellung

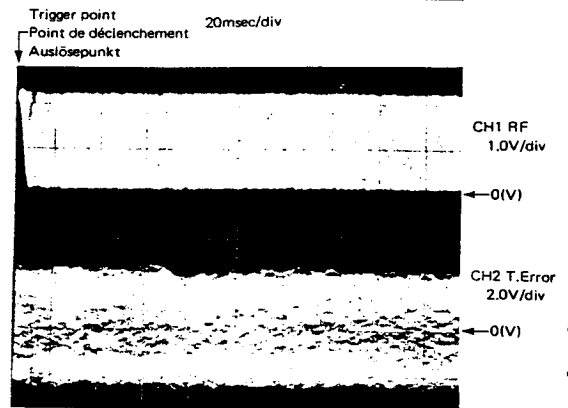
(Photo. 1)
(Photo. 1)
(Foto. 1)

For Service Manuals Contact
MAURITRON TECHNICAL SERVICES
 8 Cherry Tree Rd, Chinnor
 Oxon OX9 4QY
 Tel:- 01844-351694 Fax:- 01844-352554
 Email:- enquiries@mauritron.co.uk



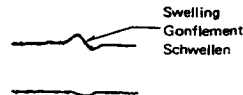
- RF signal and T.Error signal with small diffraction grid error.
- The T.Error level is small, and the envelope is as follows:
- Signal RF et signal T.Error avec une petite erreur de réseau de diffraction
- Le niveau T.ERROR est petit et l'enveloppe est comme suit :
- HF-Signal und T.-Fehlersignal mit kleinem Beugungsgitter-Fehler
- Der T.-Fehlerpegel ist klein und die Hüllkurve ist wie folgt:

(Photo. 2)
(Photo. 2)
(Foto. 2)

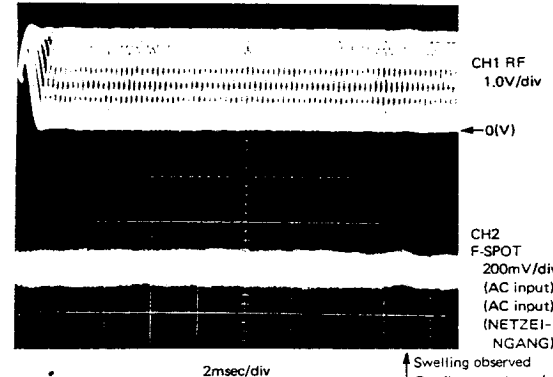


- RF signal and T.Error signal after completion of diffraction grid adjustment.
- Swelling is observed on the T.Error signal of approx. 18ms after the RF trigger point.
- Pay attention to the RF trigger point.
- Signal RF et signal T.ERROR après avoir terminé le réglage du réseau de diffraction.
- Le gonflement est observé sur le signal T.ERROR d'environ 18ms après le point de déclenchement RF.
- Attention au point de déclenchement RF.
- HF-Signal und T.-Fehlersignal nach Beendigung der Beugungsgitter-Einstellung.
- Am T.-Fehlersignal wird etwa 18ms nach dem HF-Auslösepunkt Schwellen beobachtet.
- Auf den HF-Auslösepunkt achten.

(Photo. 3)
(Photo. 3)
(Foto. 3)

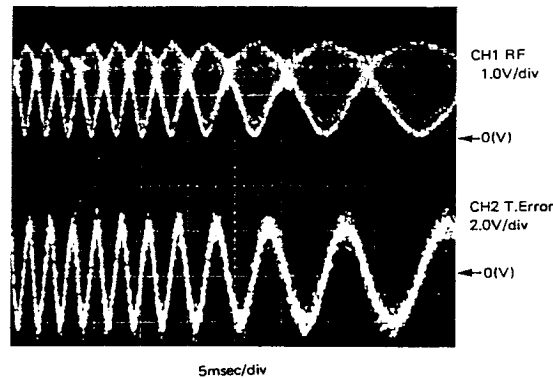


ADJUSTMENT/REGLAGE/ABGLEICH



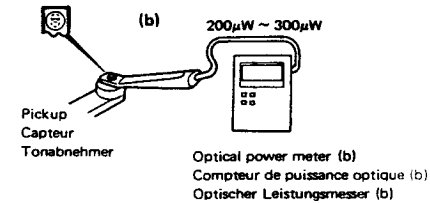
- When the diffraction grid position is correct, tracking servo is applied and RF signal is output.
- In the F spot, swelling is observed approx. 18ms after 18ms.
- Quand la position du réseau de diffraction est correcte, l'asservissement de mise au point est appliquée et le signal RF est mis en sortie.
- Dans le point F, le gonflement est observé environ 18ms après 18ms.
- Wenn die Position des Beugungsgitters korrekt ist, wird der Spurhalte-Serve zugegeben und das HF-Signal ausgegeben.
- An der F-Stelle wird nach etwa 18ms Schwellen beobachtet.

(Photo. 4)
(Photo. 4)
(Foto. 4)



- T. Error balance adjustment : Adjust so that the T.Error amplitude is symmetrical above and below 0(V).
- Réglage de la balance T.ERROR : Régler de manière à ce que l'amplitude T.ERROR soit symétrique au dessus et en dessous de 0(V).
- T.-Fehler balance-Einstellung: So einstellen, daß die T.-Fehleramplitude über und unter 0(V) symmetrisch ist.

(Photo. 5)
(Photo. 5)
(Foto. 5)



X29-1632-71

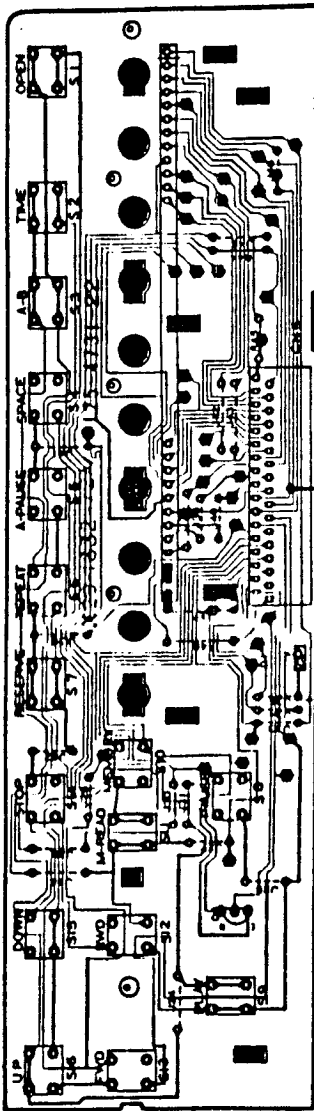
	B	C	E
Q1	-	4.9V	4.2V
Q4	-	-	4.9V
Q5	-	4.9V	-

IC1

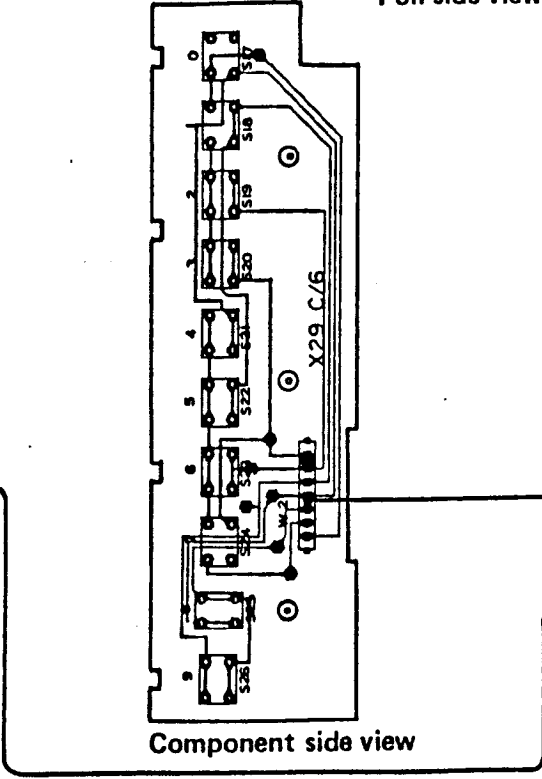
7	0V
12	0V
13	-4.0V
21	4.0V
23	4.0V
24	4.9V

IC3

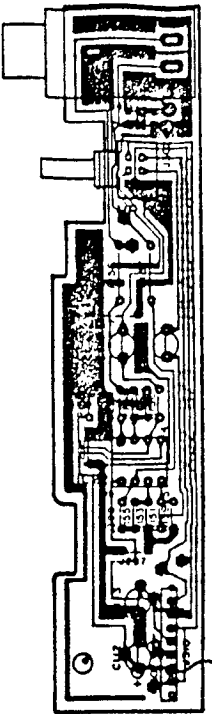
1	2.5V
2	-
3	1.6V
4	0V
5	1.4V
6	-
7	-
8	4.8V



Component side view

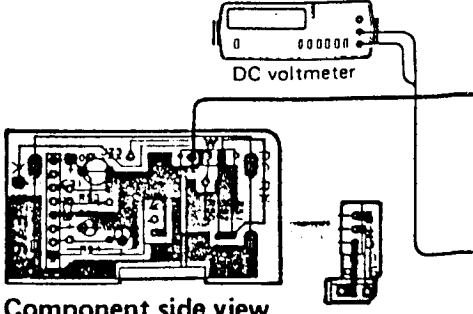


Component side view

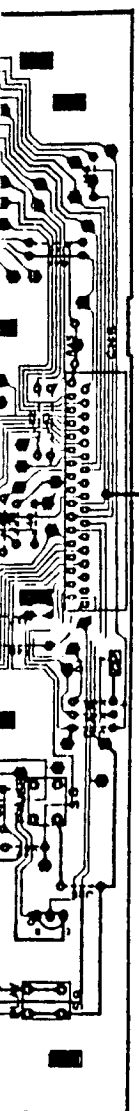
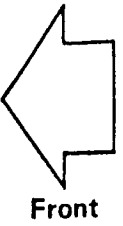


Foil side view

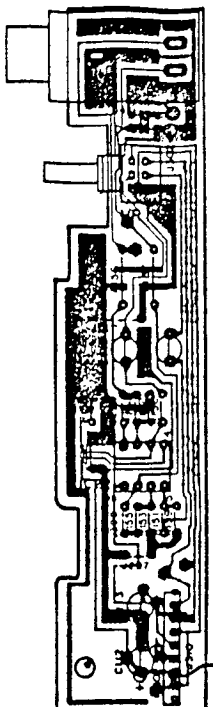
(c) Laser operating current check :
Larger by 5~6mA then the current
marked on the P.U. .



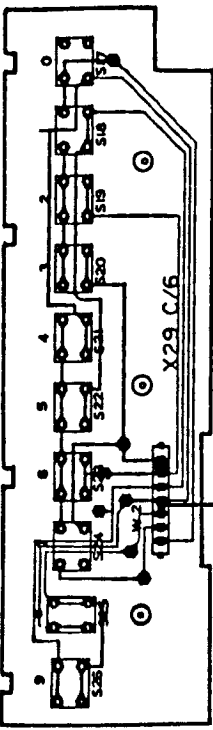
Component side view



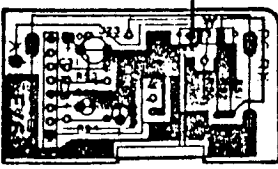
Front view



Foil side view

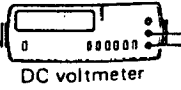


Component side view



Component side view

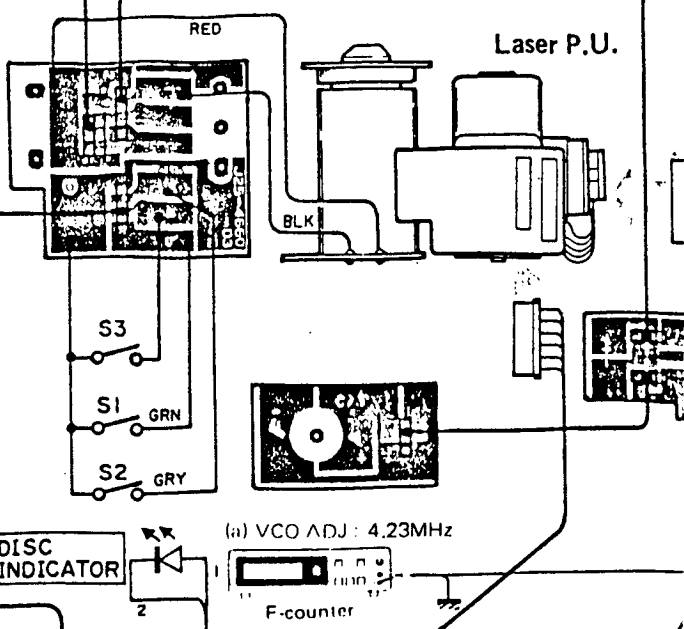
(c) Laser operating current check :
Larger by 5~6mA then the current
marked on the P.U..



DC voltmeter



MECHANISM ASS'Y (X92-1060-02)

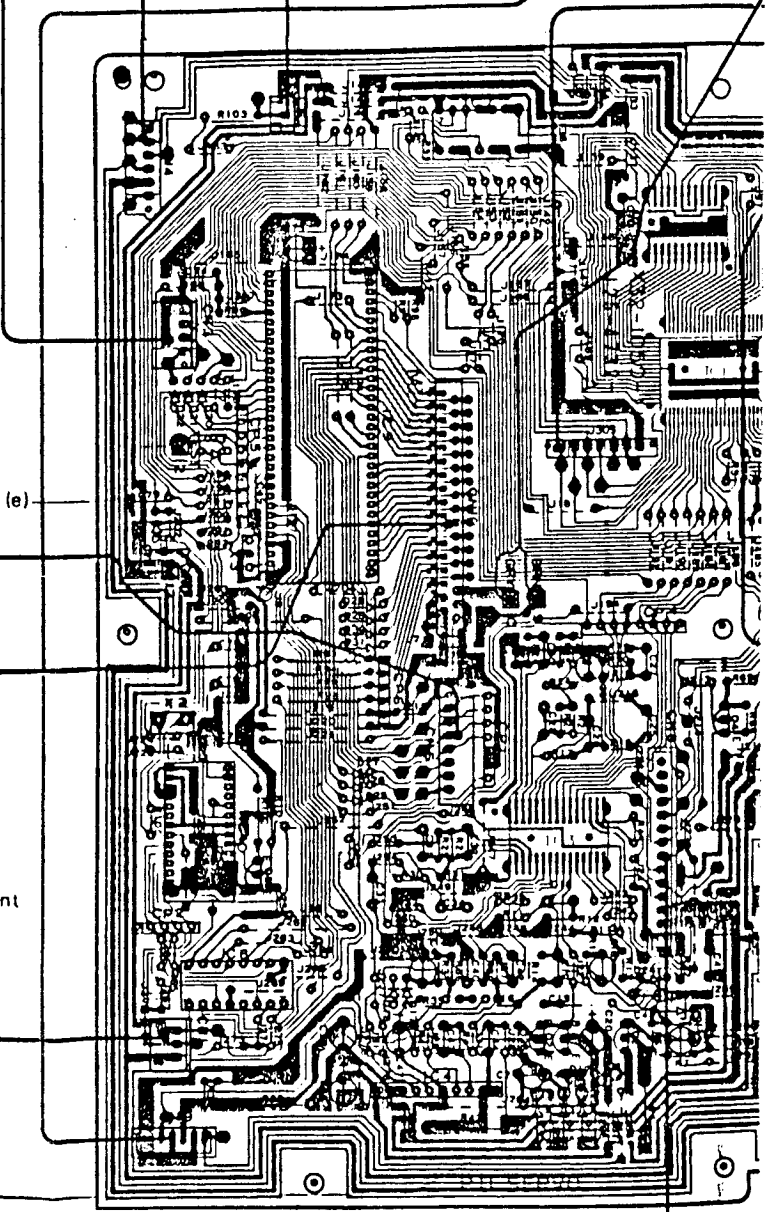


Laser P.U.

DISC INDICATOR

(a) VCO ADJ: 4.23MHz

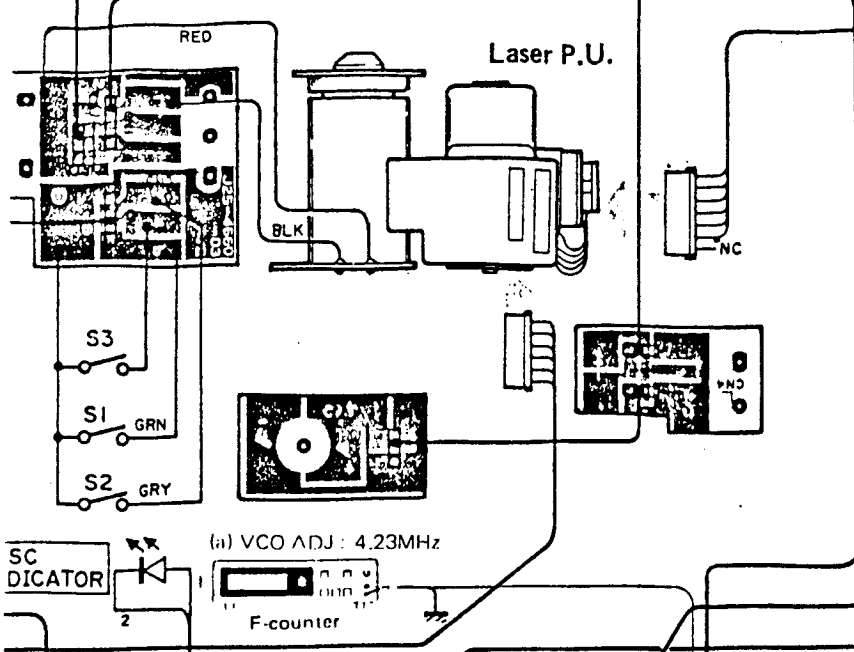
F-counter



PROCESSOR UNIT (X32-1050-11)
(A/4) Component side view

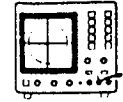
MECHANISM ASS'Y (X92-1060-02)

PC BOARD

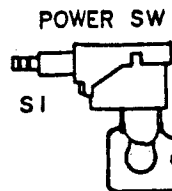


- (f) Diffraction grid
- ADJ (PU) : See Fig. 1
- T. Error balance
- Coarsr ADJ :
- Fine ADJ :

See Photo 5

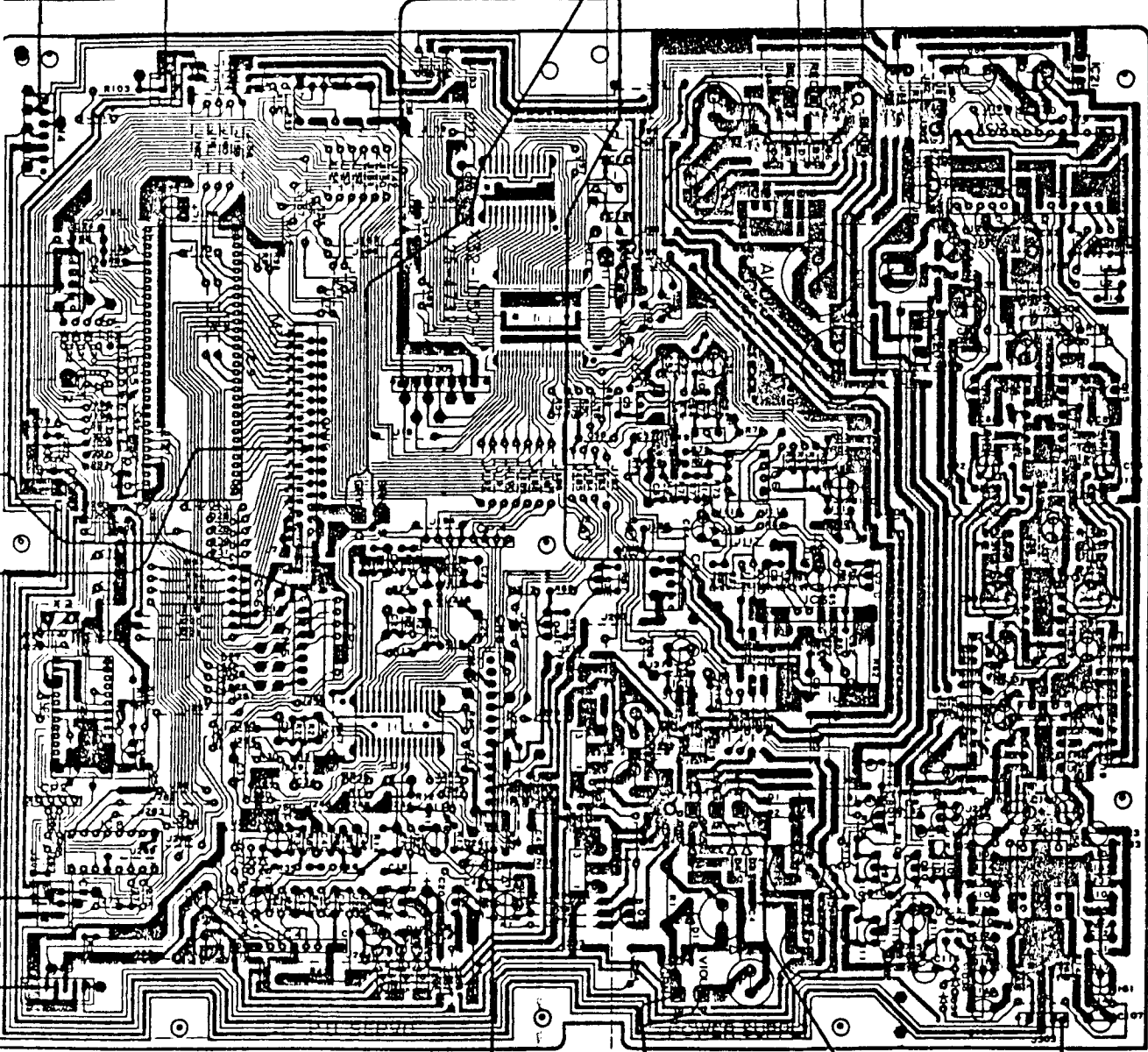
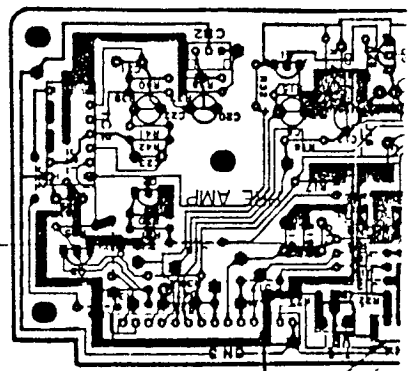


Oscilloscope



- (g) Focus gain ADJ : 40mVrms
- Tracking gain ADJ : 40mVrms

C1 0.01µ



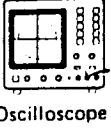
PROCESSOR UNIT (X32-1050-11)
 A/4) Component side view

Mi

Co
 sid

PC BOARD

- (f) Diffraction grid
 - ADJ(PU) : See Fig. 1
 - T. Error balance
 - Coarsr ADJ :
 - Fine ADJ :
- See Photo 5



Oscilloscope

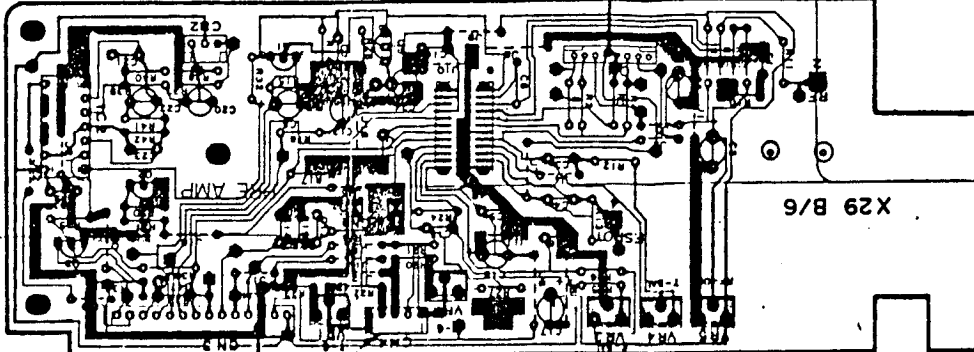
POWER SW



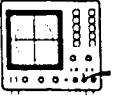
S1

- (g) Focus gain ADJ : 40mVrms
- Tracking gain ADJ : 40mVrms

C1 0.01μ

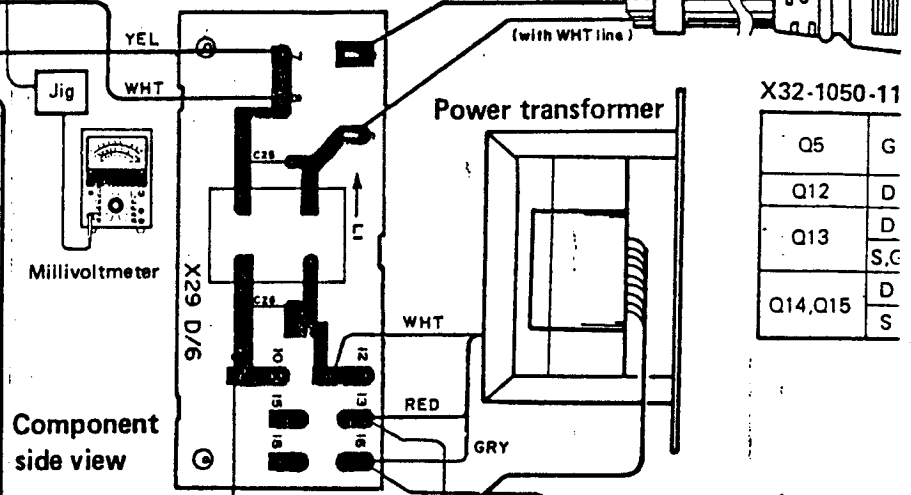
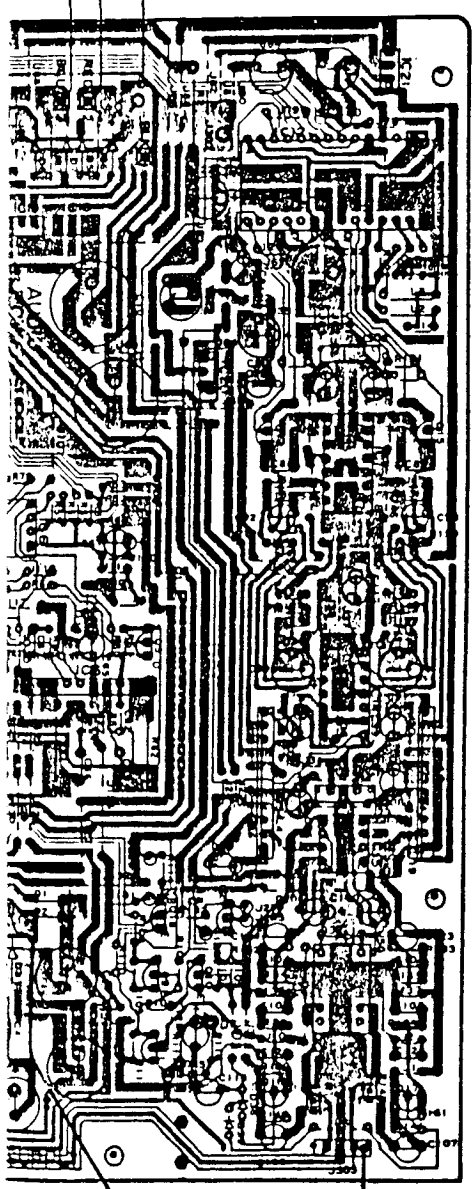


CONTROL CIRCUIT UNIT (X29-1632-72) (B/6)
Component side view



Oscilloscope

- (d) RF offset ADJ : -0.60'
- Tangential setting :
- Maximum amplitud
- Focus offset Coarse A
- Maximum amplitud
- Tangential
- Focus offset
- Optimum waveform



X32-1050-11

Q5	G
Q12	D
Q13	D
	S.C
Q14,Q15	D
	S

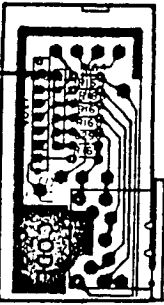
Component side view

Power transformer

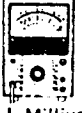
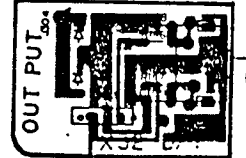
AC220-240V~

S2
AC120V~

Foil side view

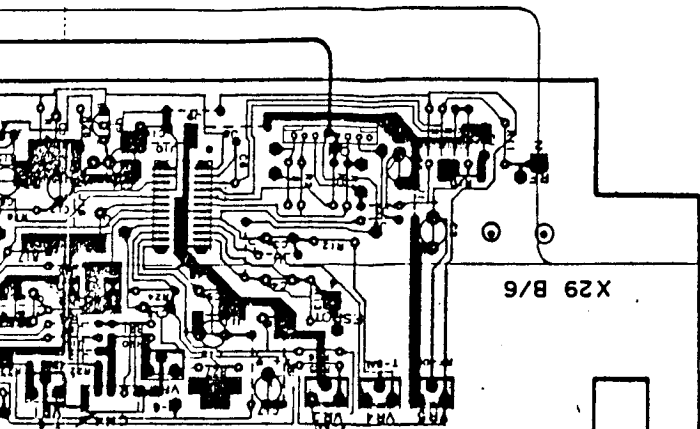


Foil side view

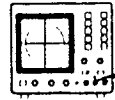


- (h) DAC ADJ :
- 1.9~2.0Vrms.

Refer to the sch

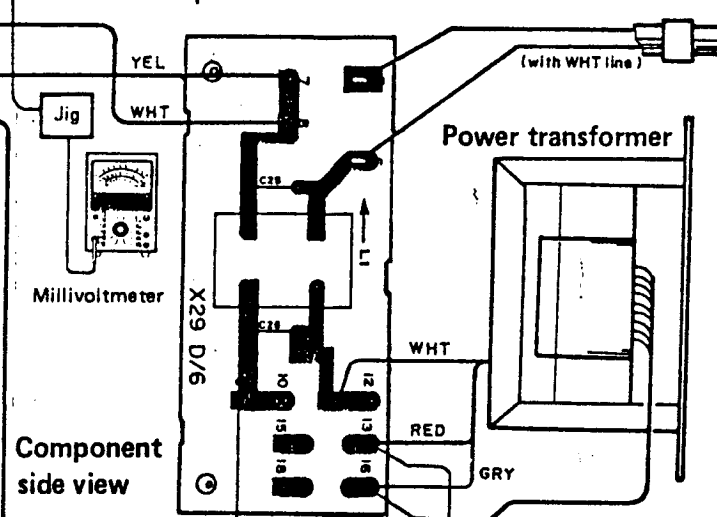


CONTROL CIRCUIT UNIT (X29-1632-72) (B/6)
Component side view



Oscilloscope

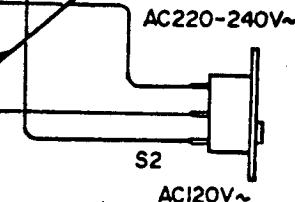
(d) RF offset ADJ : -0.60V
Tangential setting :
Maximum amplitude
Focus offset Coarse ADJ :
Maximum amplitude
Tangential Focus offset Fine ADJ :
Optimum waveform



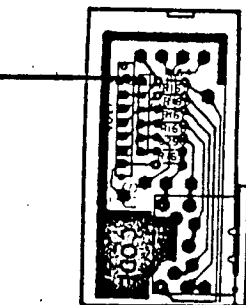
Component side view

X32-1050-11

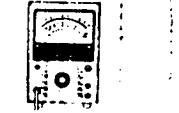
Q5	G	PLAY : -12.3V STOP : 14.9V
Q12	D	-12.1V
Q13	D	4.9V
	S,G	1.4V
Q14,Q15	D	STOP : 2.2V
	S	STOP : -2.8V



Foil side view



Foil side view

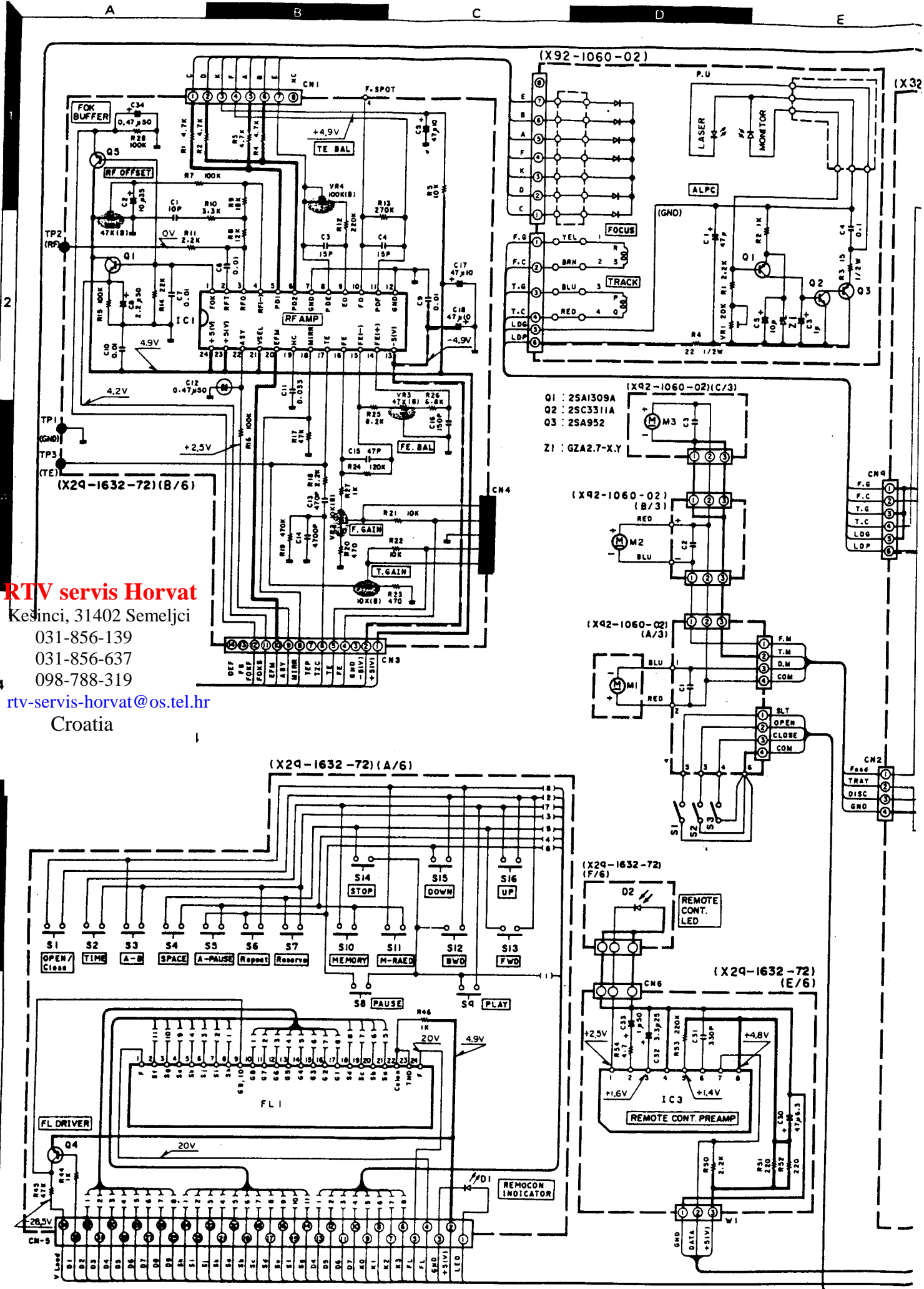


(h) DAC ADJ :
1.8 ~ 2.0Vms.

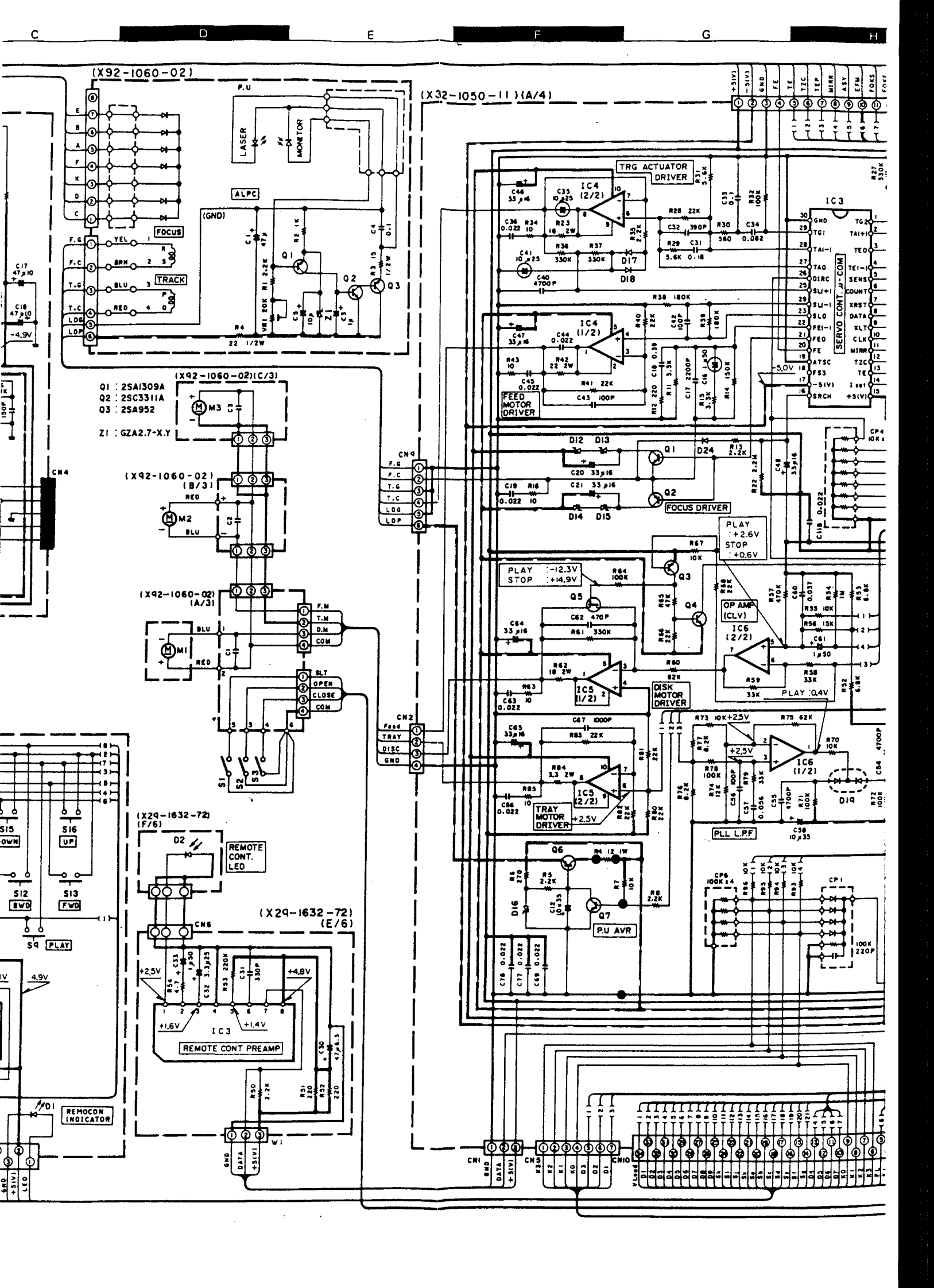
AC power cord

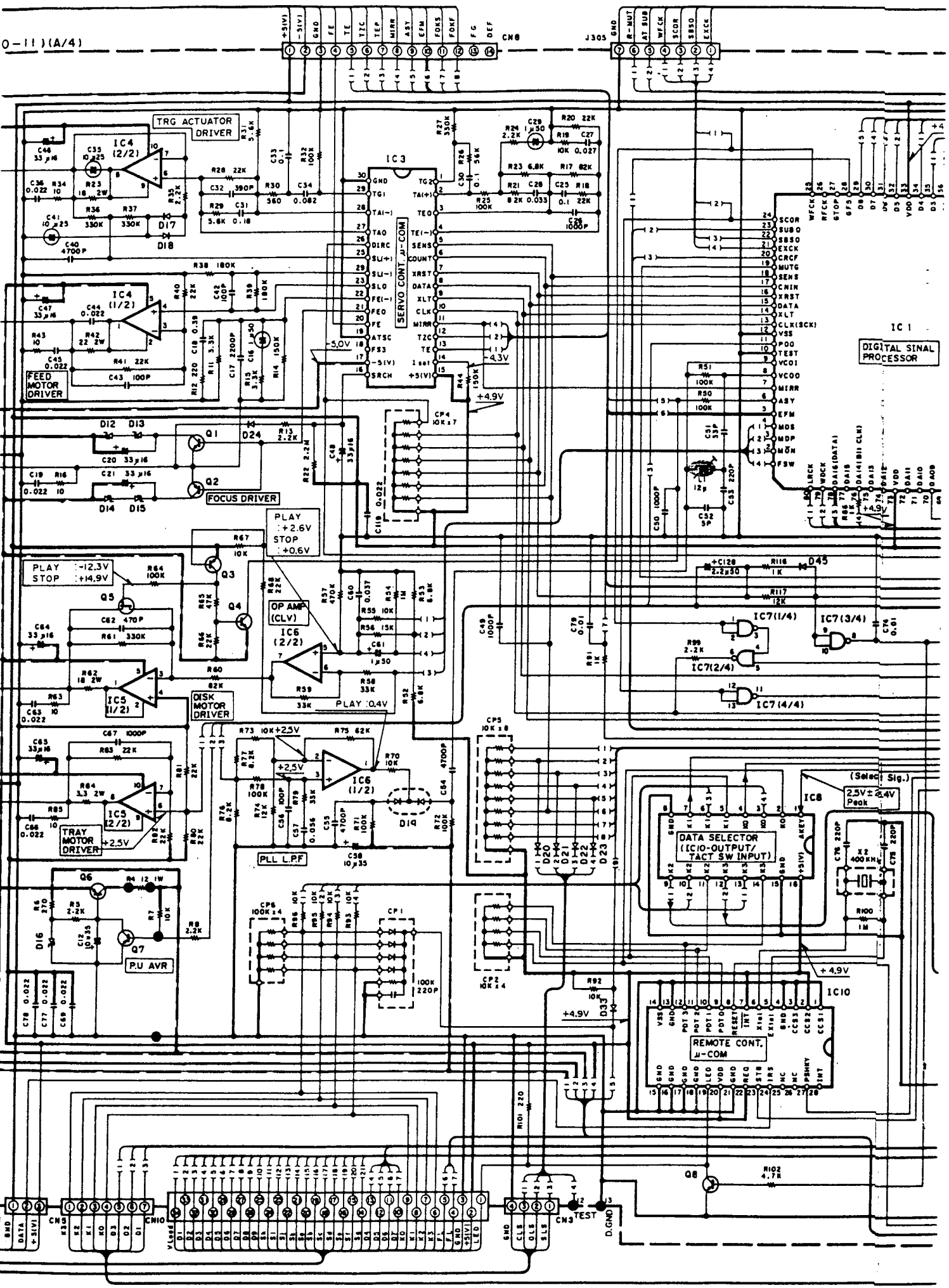
IC1	33	4.9V
	73	4.9V
IC2	24	4.9V
IC3	14	-4.3V
	15	4.9V
	17	-5.0V
IC5	6	2.5V
IC6	1	PLAY : 0.4V
	2	2.6V
	3	2.5V
	5	PLAY : 2.6V STOP : 0.6V
	IC8	1
IC8	16	4.9V
	IC9	64
IC9	58	-5.0V
	IC11	1
2		0V
3		4.9V
4		4.9V
IC12	14	-5.0V
	20	-5.0V
	IC13	1
4		12.1V
5		0V
10		0V
11		-12.1V
14		STOP : 2.2V
IC14		8
	16	4.9V
	IC15	4
8		12.1V
IC16	1	-
	2	4.9V
	3	0V
IC17	1	0V
	2	-5.0V
IC18	1	-
	2	12.1V
	3	0V
IC19	1	0V
	2	-12.1V
	3	-
IC20	1	0V
	2	-5.0V
IC21	1	12.1V
	2	4.9V
	3	0V
IC22	4	12.1V
	8	-12.1V

Refer to the schematic diagram for the values of resistors and capacitors.



RTV servis Horvat
 Kešinci, 31402 Semeljci
 031-856-139
 031-856-637
 098-788-319
rtv-servis-horvat@os.tel.hr
 Croatia





IC 1
DIGITAL SIGNAL
PROCESSOR

DATA SELECTOR
(IC10-OUTPUT/
TACT SW INPUT)

REMOTE CONT.
J-COM
IC10

PLAY
+2.6V
STOP
+0.6V

2.5V ± 0.4V
Peak

TRG ACTUATOR
DRIVER
IC4 (2/2)

FEED
MOTOR
DRIVER
IC4 (1/2)

FOCUS
DRIVER

PLAY
+12.3V
STOP
+4.9V

DISK
MOTOR
DRIVER
IC5 (1/2)

RAY
MOTOR
DRIVER
IC5 (2/2)

PU AVR

PLL LFP
IC6 (1/2)

IC7 (1/4)
IC7 (3/4)
IC7 (2/4)
IC7 (4/4)

Terminal block CN8 (pins 1-16): +5(V), -5(V), GND, FE, TE, TTC, TEP, MIRR, EFM, FOKS, FOKF, FC, DEF

Terminal block J305 (pins 1-4): GND, R-MUT, AT SUB, WFCR, SCOR, BRSS, EKCK

Terminal block CN9 (pins 1-16): GND, DATA, +5(V), K1, K2, K3, K4, K5, K6, K7, K8, K9, K10, K11, K12, K13, K14, K15, K16

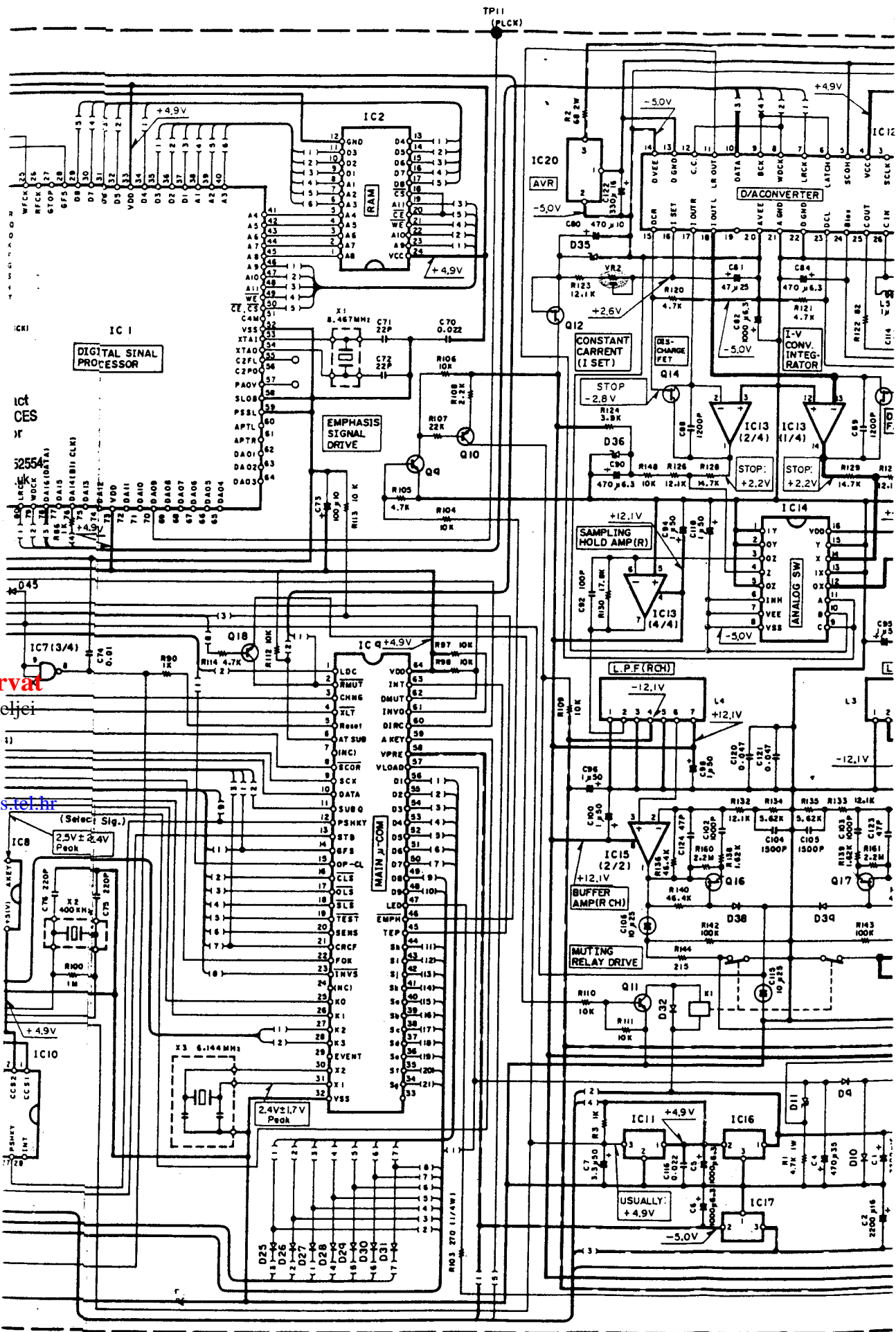
Terminal block CN3 TEST (pins 1-4): GND, CLS, OLS, SLS

IC 1 PINS:
25 SCOR
23 SUB 0
22 BRSS
21 EXCK
20 CRCF
19 MUTG
18 SENS
17 CNIN
16 XRST
15 DATA
14 XLT
13 CLK(SCK)
12 VSS
11 P00
10 TEST
9 VCO1
8 VCO0
7 MIRR
6 ASY
5 EFM
4 MDS
3 MDP
2 MSH
1 FSW

IC 1 PINS (continued):
24 WFCR
26 STOP
27 DT
28 DT
29 DT
30 DT
31 DT
32 DT
33 VDD
34 VDD
35 DT
36 DT

IC 8 PINS:
1 (Select Sig.)
2
3
4
5
6
7
8
9
10
11
12
13
14
15
16

IC 10 PINS:
14 VSS
13 GND
12 POT 1
11 POT 2
10 POT 3
9 POT 4
8 VDD
7 X1
6 X2
5 X3
4 X4
3 X5
2 X6
1 X7



RTV servis Horvat

Kešinci, 31402 Semeljei

031-856-139

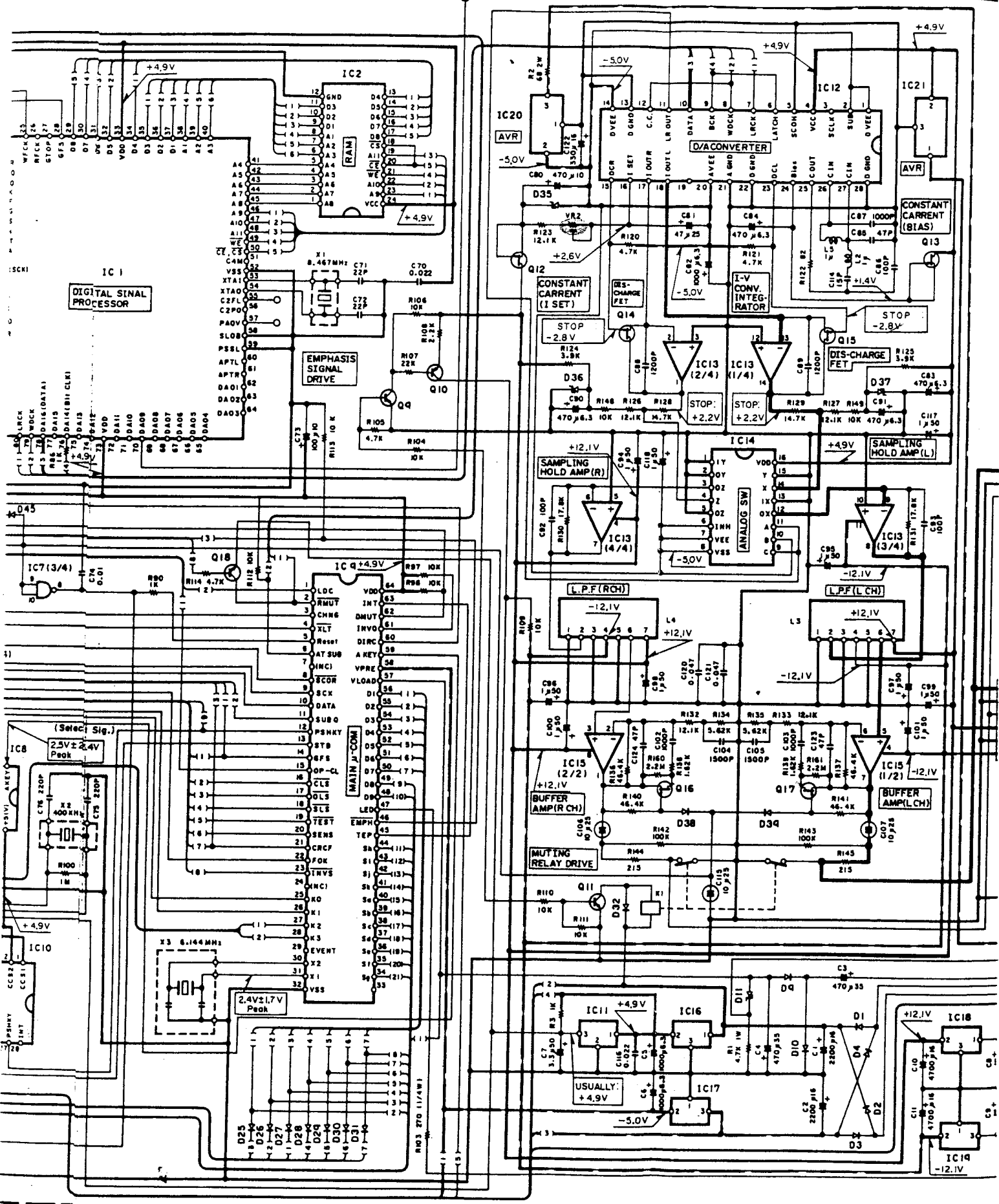
031-856-637

098-788-319

rtv-servis-horvat@os.tel.hr

Croatia

TP11 (PLCK)



DIGITAL SIGNAL PROCESSOR

EMPHASIS SIGNAL DRIVE

IC20 AVR

D/A CONVERTER

CONSTANT CURRENT (BIAS)

CONSTANT CURRENT (1 SET)

I-V CONV. INTEGRATOR

STOP -2.8V

DIS-CHARGE FET

SAMPLING HOLD AMP (R)

ANALOG SW

SAMPLING HOLD AMP (L)

L.P.F (RCH)

L.P.F (LCH)

BUFFER AMP (R CH)

BUFFER AMP (L CH)

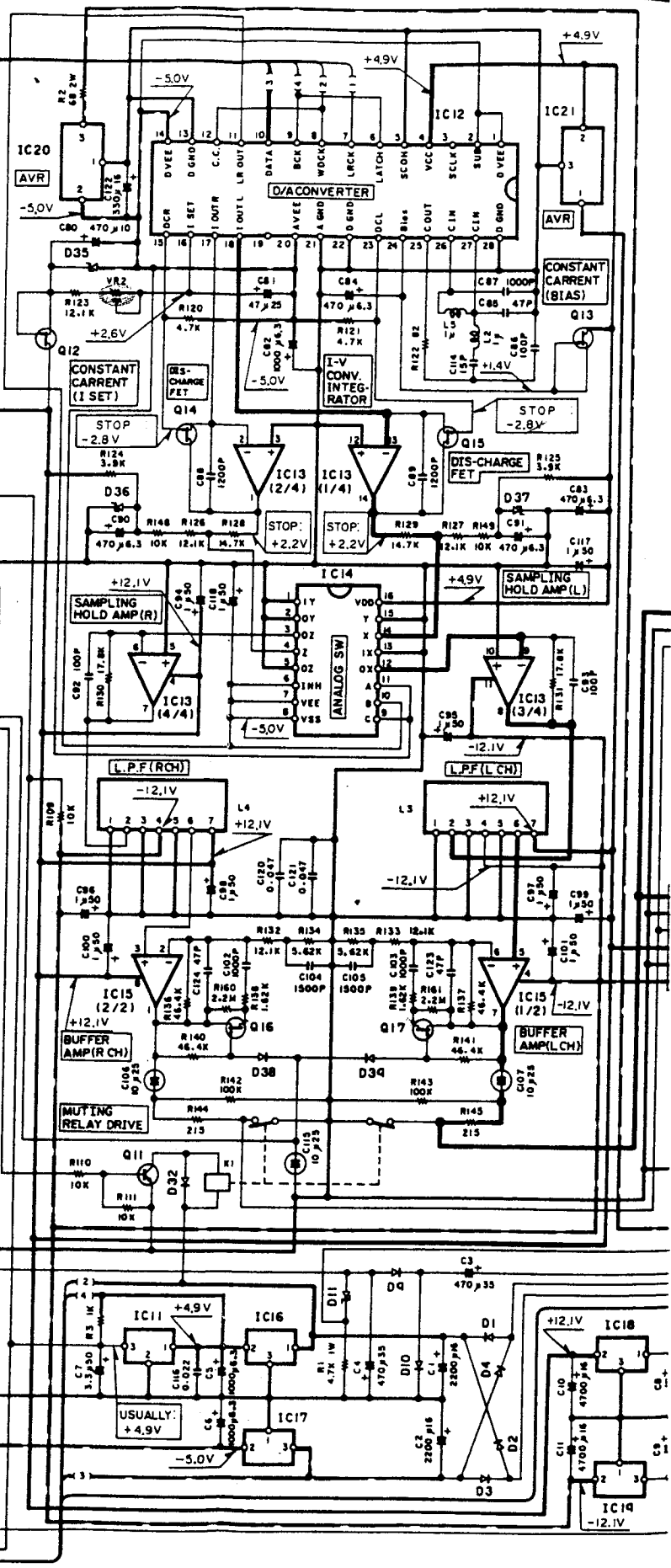
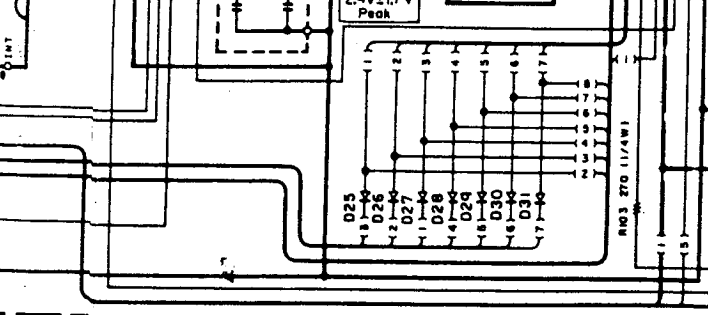
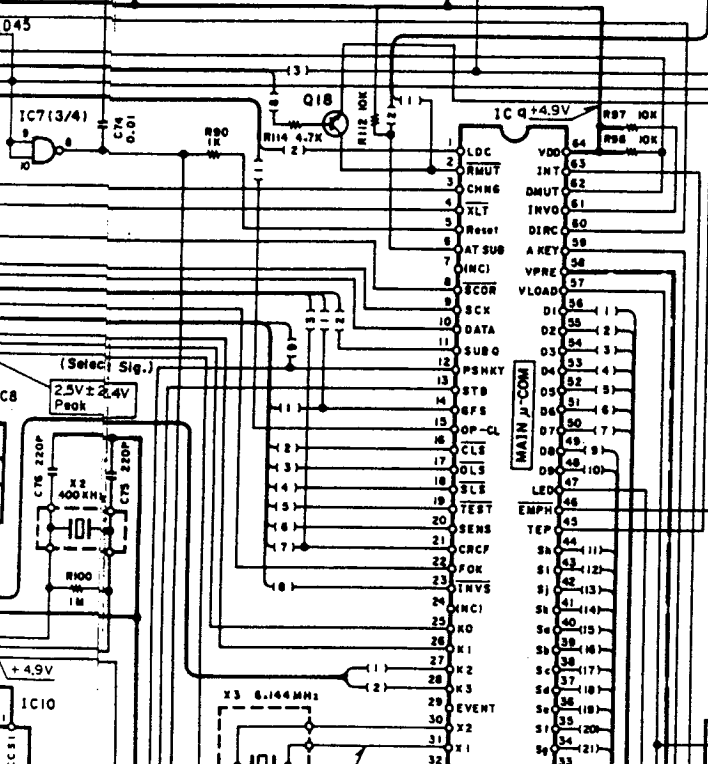
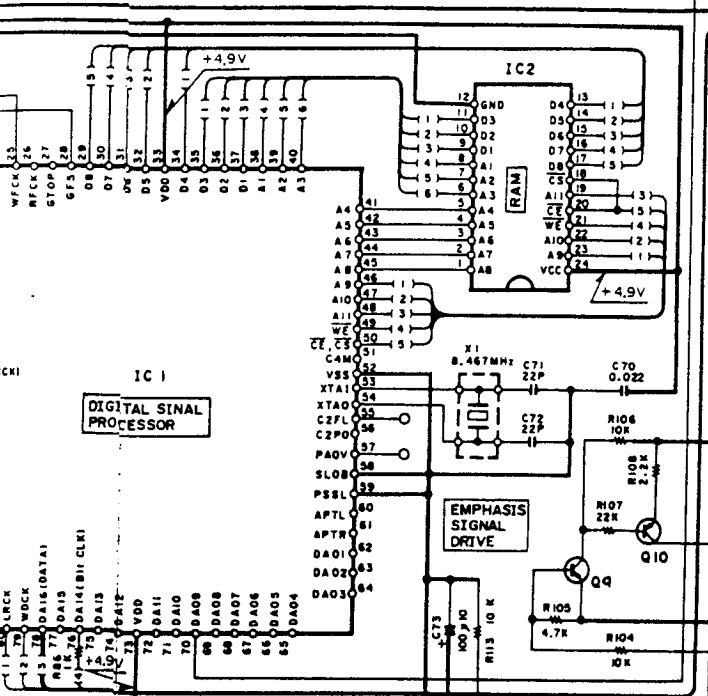
MUTING RELAY DRIVE

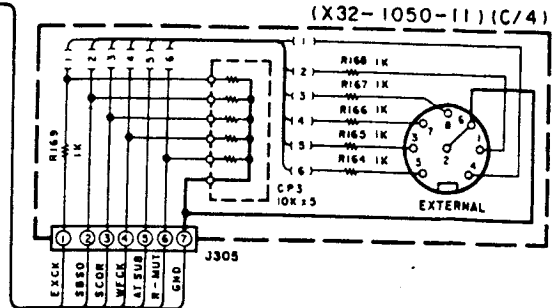
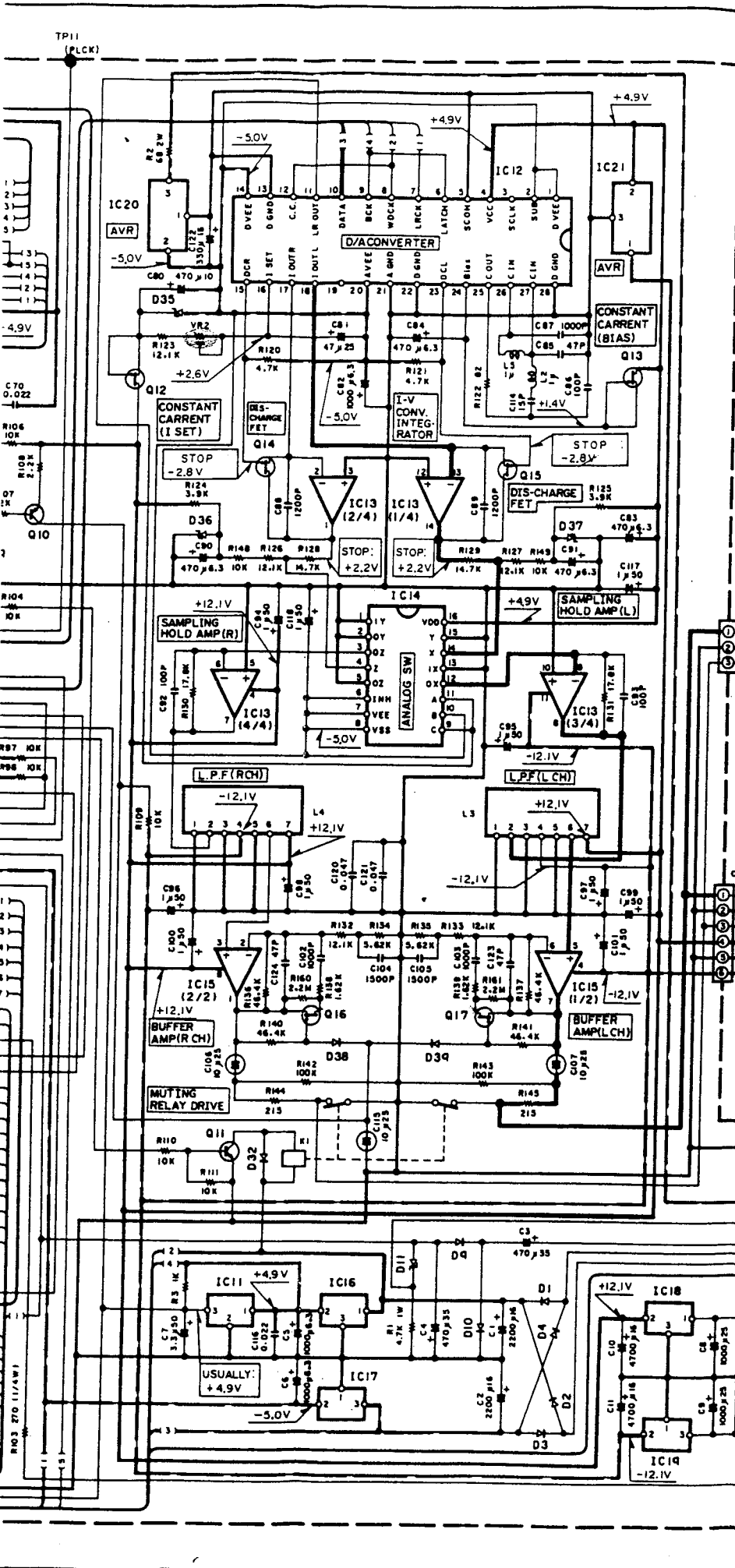
USUALLY: +4.9V

+12.1V

-12.1V

MAIN J-COM

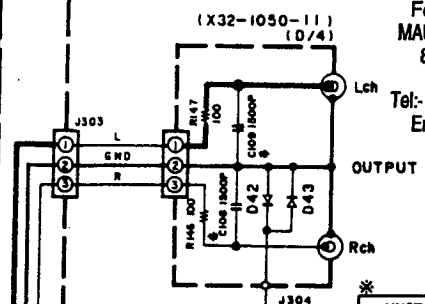




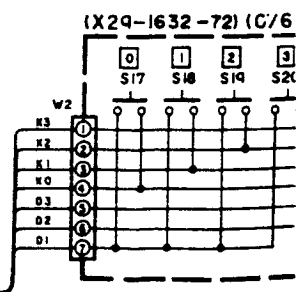
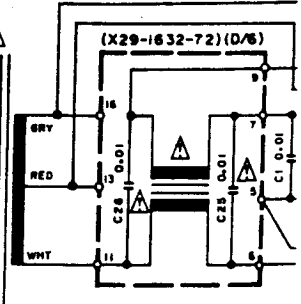
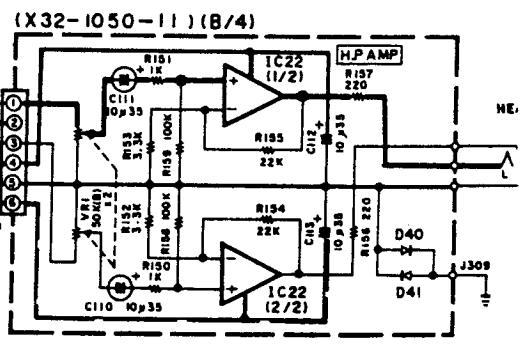
• DC voltages are as measured with a high impedance voltmeter. Values may vary slightly due to variations between individual instruments or/and units.

CAUTION: For continued safety, replace safety critical components only with manufacturer's recommended parts (re to parts list). Δ Indicates safety critical components. reduce the risk of electric shock, leakage-current or resistor measurements shall be carried out (exposed parts are acceptably insulated from the supply circuit) before the appliance returned to the customer.

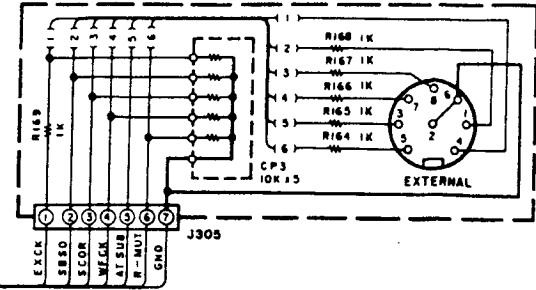
For Service Manuals Contact
MAURITRON TECHNICAL SERVICES
 8 Cherry Tree Rd, Chinnor
 Oxon OX9 4QY
 Tel: 01844-351694 Fax: 01844-352554
 Email: enquiries@mauritron.co.uk



UNIT NO.	DIVISION	C108, C109
X32-1050-00	U, M, UE	NOT USED
X32-1050-11	K, P, X, T, E	1500P



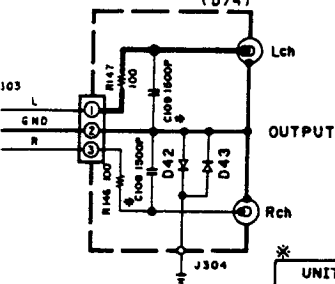
(X32-1050-11) (C/4)



• DC voltages are as measured with a high impedance voltmeter. Values may vary slightly due to variations between individual instruments or/and units.

CAUTION: For continued safety, replace safety critical components only with manufacturer's recommended parts (refer to parts list). ΔIndicates safety critical components. To reduce the risk of electric shock, leakage-current or resistance measurements shall be carried out (exposed parts are acceptably insulated from the supply circuit) before the appliance is returned to the customer.

(X32-1050-11) (D/4)



UNIT NO.	DIVISION	C108, C109
X32-1050-00	U, M, VE	NOT USED
X32-1050-11	K, P, X, T, E	1500P

(X29-1632-72)
IC1 : CX-20109
IC3 : CX-20106A

Q1, 4, 5 : 2SC1815(Y, GR), 2SC945(A)(Q, P), 2SC2320(E, F) or 2SC1685(R, S)

D1 : B30-0431-05
D2 : PH302C

(X32-1050-11)

IC1 : CX23035
IC2 : CXK5816M, HM6116FP-4 or MB8416-20LPF
IC3 : CX20108
IC4, 5 : TA7256P
IC6 : NJM4558D or AN6556
IC7 : TC40H000P
IC8 : TC40H157P
IC9 : MPD7516HCW-230
IC10 : LM6416E-504
IC11 : PST518B
IC12 : CX20152
IC13 : TL084CN
IC14 : MPD4053BC
IC15 : NJM4560D or NJM4560D-N
IC16 : AN7805F
IC17, 20 : AN7905F
IC18 : μPC78L12
IC19 : AN7912F
IC21 : μPC78L05
IC22 : M5218P

Q1 : 25C3246
Q2, 6 : 25A1286
Q3, 7, 10 : 25A1015(Y, GR), 25A733(A)(Q, P) or 25A1127NC(R, S)
Q4, 8, 9, 18 : 25C1815(Y, GR), 25C945(A)(Q, P) or 25C1685(R, S)
Q5, 16, 17 : 25K246(Y, GR)
Q11 : 25D1302(S)
Q12 : 25K246 (BL)
Q13 : 25K170 (BL)
Q14, 15 : 25K125 (3, 4)

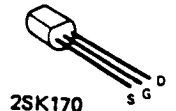
D1~10 : DSM1A1
D11 : RD6.2E(B)
D12~15 : RD3.6F(B)
D16 : RD10E(B)
D17, 18, 20~23, 25~27, 33, 38~43, 45 : 15S176 or 15S133
D19 : 15V147
D35 : RD7.5JS(B)
D36, 37 : RD5.1JS(B2)

For Service Manuals Contact
MAURITRON TECHNICAL SERVICES
8 Cherry Tree Rd, Chinnor
Oxon OX9 4QY
Tel: 01844-351694 Fax: 01844-352554
Email: enquiries@mauritron.co.uk

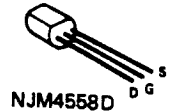
2SA1015 2SC1815
2SA1127NC 2SC2320
2SA1286 2SC3246
2SA733 2SC945
2SC1685 2SD1302



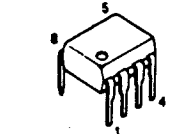
2SK125
2SK246



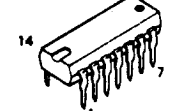
2SK170



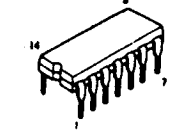
NJM4558D
NJM4560D
NJM4560D-N



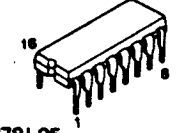
TL084CN



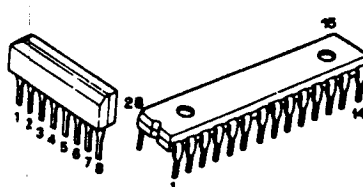
TC40H000P



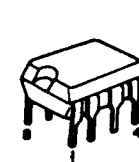
TC40H157P
μPD4053BC



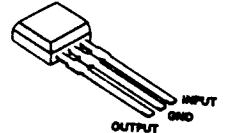
CX20106A LM6416E-504



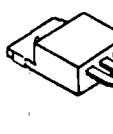
AN6556
M5218P



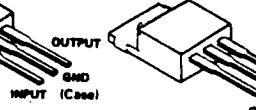
μPC78L05
μPC78L12



AN7805F



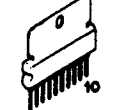
AN7905F
AN7912F



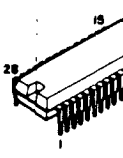
PST518B



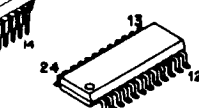
TA7256P



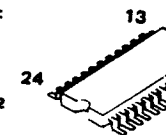
CX20152



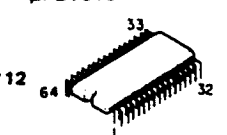
CX-20109
CXK5816M
MB8416-20LPF



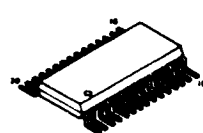
HM6116FP-4



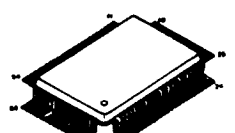
μPD7516HCW-230



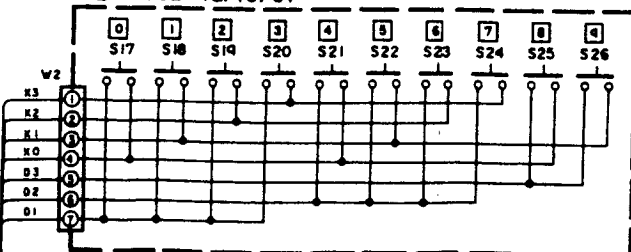
CX20108



CX23035



(X29-1632-72) (C/6)

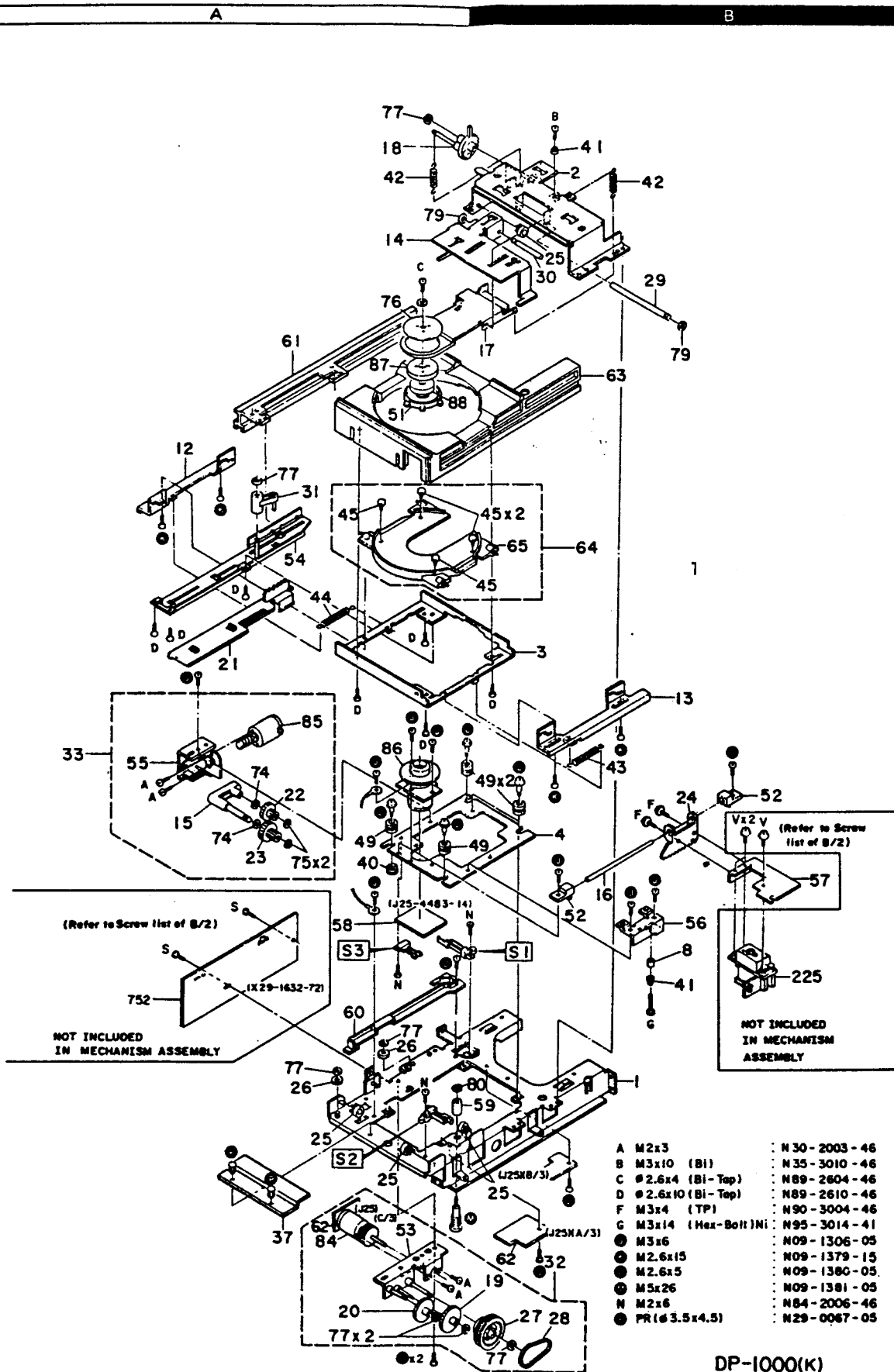


DP-1000(K)

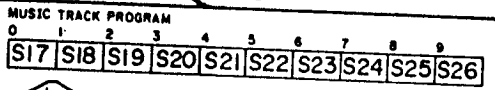
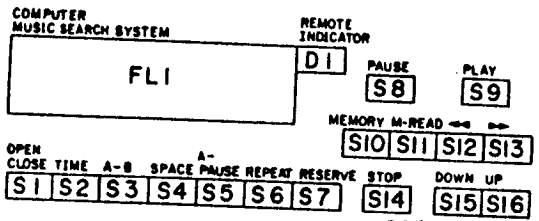
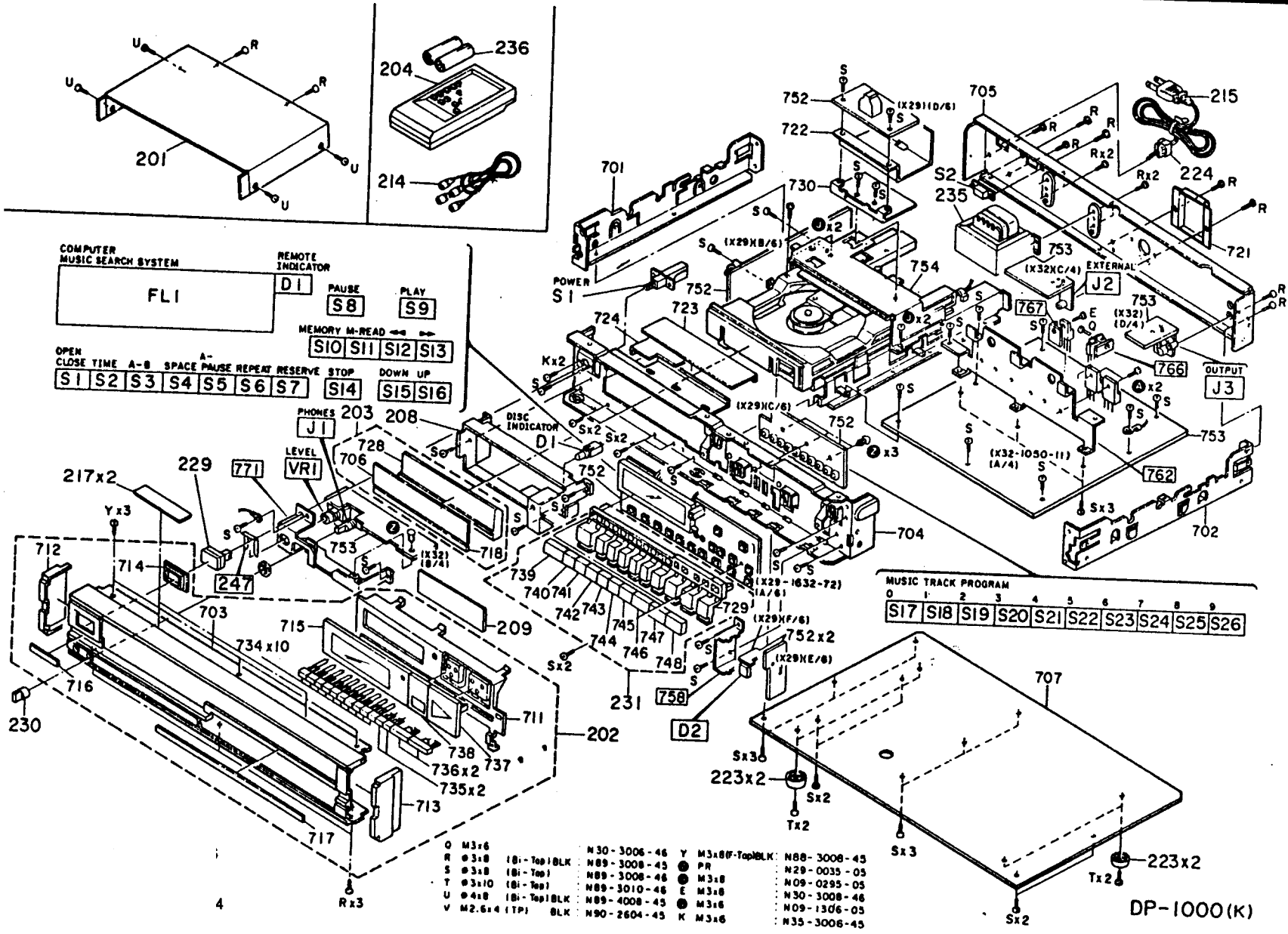
DP-1000

KENWOOD

EXPLODED VIEW (MECHANISM)



EXPLODED VIEW(UNIT)



O M3x6	N 30-3006-46	Y M3x6P-Top/BLK	N88-3008-45
R 03x8 (Bl-Top)BLK	N89-3008-45	● PR	N29-0035-05
S 03x8 (Bl-Top)	N89-3008-46	● M3x8	N09-0295-05
T 03x10 (Bl-Top)	N89-3010-46	● E M3x8	N30-3008-46
U 04x8 (Bl-Top)BLK	N89-4008-45	● M3x6	N09-1306-05
V M2.5x4 (TP) BLK	N90-2604-45	K M3x6	N35-3006-45

Parts with the exploded numbers larger than 700 are not supplied.

DP-1000(K)

PARTS LIST

× New Parts

Parts without Parts No. are not supplied.

Les articles non mentionnés dans le Parts No. ne sont pas fournis.

Telle ohne Parts No. werden nicht geliefert.

Ref. No. 参照番号	Address 位置	New Parts 新	Parts No. 部品番号	Description 部品名 / 規格	Desti- nation 仕 向	Re- marks 備考
224	1E		J42-0083-05	POWER CORD BUSHING		
225	3B	*	J91-0295-05	PICKUP		
-			J61-0307-05	WIRE BAND		
229	1C		K27-1082-04	KNØB (BUTTON) POWER		
230	2C		K29-2201-04	KNØB (BUTTON) LEVEL		
231	2D	*	K29-2209-03	KNØB ASSY		
Δ 235	1E	*	L01-6831-05	POWER TRANSFORMER	KP	
Δ 235	1E	*	L01-6834-05	POWER TRANSFORMER	UMJEXT	
Δ 235	1E	*	L01-6834-05	POWER TRANSFORMER	E	
J	1D, 1E		N09-1306-05	TAPPING SCREW (3X6)		
Z	1E		N29-0035-05	PUSH RIVET (3.5X5.5)		
Δ S1	1D		S40-1066-05	PUSH SWITCH (POWER TYPE)		
Δ S2	1E		S31-2083-05	SLIDE SWITCH (POWER TYPE)	UMJEXT	
Δ S2	1E		S31-2083-05	SLIDE SWITCH (POWER TYPE)	E	
236	1D		W09-0022-05	BATTERY		
CONTROL CIRCUIT UNIT(X29-1632-72)						
D1	1C		B30-0431-05	LED(LN21CPH) REMØTE INDICATOR		
C1			CC45FSL1H100D	CERAMIC 10PF D		
C2			CE04KW1V100M	ELECTRØ 10UF 35WV		
C3 ,4			CC45FSL1H150J	CERAMIC 15PF J		
C5			CE04KW1A470M	ELECTRØ 47UF 10WV		
C6			C91-0769-05	CERAMIC 0.01UF M		
C7			CK45FF1H103Z	CERAMIC 0.010UF Z		
C8			CE04KW1H2R2M	ELECTRØ 2.2UF 50WV		
C9 ,10			CK45FF1H103Z	CERAMIC 0.010UF Z		
C11			CF92FV1H333J	MF 0.033UF J		
C12			C90-1331-05	ALMINIUM ELECTROLYTIC C.		
C13			CK45FB1H471K	CERAMIC 470PF K		
C14			CF92FV1H472J	MF 4700PF J		
C15			CC45FSL1H470J	CERAMIC 47PF J		
C16			CC45FSL1H151J	CERAMIC 150PF J		
C17 ,18			CE04KW1A470M	ELECTRØ 47UF 10WV		
Δ C25 ,26			C91-0647-05	CERAMIC 0.01UF P		
C30		*	CE04JW0J470M	ELECTRØ 47UF 6.3WV		
C31			C91-0751-05	CERAMIC 330PF K		
C32		*	CE04JW1E3R3M	ELECTRØ 3.3UF 25WV		
C33			CE04JW1H010M	ELECTRØ 1.0UF 50WV		
C34			CE04DW1HR47M	ELECTRØ 0.47UF 50WV		
L1			L79-0702-05	LINE FILTER		
VR1 ,2			R12-3100-05	TRIMMING PØT.(10K)F. GAIN,T. GAIN		
VR3			R12-3103-05	TRIMMING PØT.(47K) FE BAL		
VR4		*	R12-5048-05	TRIMMING PØT.(100K)TE BAL		
VRS			R12-3103-05	TRIMMING PØT.(47K) RF ØFFSET		
S1 -26	1C, 2E		S40-1064-05	PUSH SWITCH		
D2		*	PH302C	PHØTØ DIØDE		
FL1		*	CP2162GR	FLUØRESCENT INDICATOR TUBE		
IC1		*	CX-20109	IC(RF AMP FOR 3-BEAM PICK-UP)		
IC3		*	CX20106A	IC(REMØTE CONTROLER PREAMP)		
Q1			2SC1685(R,S)	TRANSISTØR		

E: Scandinavia & Europe H:Audio Club K: USA P: Canada

T: England U: PX(Far East Hawaii)

UE: AAFES(Europe) X: Australia M: Other Areas

Δ indicates safety critical components.

PARTS LIST

× New Parts

Parts without Parts No. are not supplied.

Les articles non mentionnés dans le Parts No. ne sont pas fournis.

Teile ohne Parts No. werden nicht geliefert.

Ref. No. 参照番号	Address 位置	New Parts 新	Parts No. 部品番号	Description 部品名 / 規格	Desti- nation 仕 向	Re- marks 備考
Q1			2SC1815(Y,GR)	TRANSISTOR		
Q1			2SC2320(E,F)	TRANSISTOR		
Q1			2SC945(A)(Q,P)	TRANSISTOR		
Q4 .5			2SC1685(R,S)	TRANSISTOR		
Q4 .5			2SC1815(Y,GR)	TRANSISTOR		
Q4 .5			2SC2320(E,F)	TRANSISTOR		
Q4 .5			2SC945(A)(Q,P)	TRANSISTOR		
PROCESSOR UNIT(X32-1050-11)						
C1 .2			CE04KW1C222M	ELECTRO 220UF 16WV		
C3 .4			CE04KW1V471M	ELECTRO 470UF 35WV		
C5 .6			CE04KW0J102M	ELECTRO 1000UF 6.3WV		
C7			CE04KW1H3R3M	ELECTRO 3.3UF 50WV		
C8 .9			CE04KW1E102M	ELECTRO 1000UF 25WV		
C10 .11		*	CE04KW1C472M	ELECTRO 4700UF 16WV		
C12			CE04KW1V100M	ELECTRO 10UF 35WV		
C16		*	C90-1349-05	ALMINIUM ELECTROLYTIC C.		
C17			CF92FV1H222J	MF 2200PF J		
C18			CF92FV1H394J	MF 0.39UF J		
C19			C91-0085-05	CERAMIC 0.022UF N		
C20 .21			CE04KW1C330M	ELECTRO 33UF 16WV		
C25			CF92FV1H104J	MF 0.10UF J		
C26			CF92FV1H102J	MF 1000PF J		
C27			CF92FV1H273J	MF 0.027UF J		
C28			CF92FV1H333J	MF 0.033UF J		
C29		*	C90-1349-05	ALMINIUM ELECTROLYTIC C.		
C30			CF92FV1H104J	MF 0.10UF J		
C31			CF92FV1H184J	MF 0.18UF J		
C32			CK45FB1H391K	CERAMIC 390PF K		
C33			CF92FV1H104J	MF 0.10UF J		
C34			CF92FV1H823J	MF 0.082UF J		
C35			C90-1332-05	ELECTRO 10UF 25WV		
C36			C91-0085-05	CERAMIC 0.022UF N		
C40			CF92FV1H472J	MF 4700PF J		
C41			C90-1332-05	ELECTRO 10UF 25WV		
C42 .43			CC45FSL1H101J	CERAMIC 100PF J		
C44 .45			CK45FF1H223Z	CERAMIC 0.022UF Z		
C46 -48			CE04KW1C330M	ELECTRO 33UF 16WV		
C49 .50			C91-0757-05	CERAMIC 0.001UF K		
C51		*	CC45FUJ1H330J	CERAMIC 33PF J		
C52		*	CC45FUJ1H050C	CERAMIC 5.0PF C		
C53		*	CC45FUJ1H221J	CERAMIC 220PF J		
C54 .55			C91-0765-05	CERAMIC 0.0047UF M		
C56			CC45FSL1H101J	CERAMIC 100PF J		
C57			CF92FV1H563J	MF 0.056UF J		
C58			CE04KW1V100M	ELECTRO 10UF 35WV		
C60			CF92FV1H393J	MF 0.039UF J		
C61			CE04KW1H010M	ELECTRO 1.0UF 50WV		
C62			C91-0753-05	CERAMIC 470PF K		
C63			CK45FF1H223Z	CERAMIC 0.022UF Z		
C64 .65			CE04KW1C330M	ELECTRO 33UF 16WV		
C66			CK45FF1H223Z	CERAMIC 0.022UF Z		
C67			CK45FB1H102K	CERAMIC 1000PF K		
C69 .70			CK45FF1H223Z	CERAMIC 0.022UF Z		
C71 .72			CC45FCH1H220J	CERAMIC 22PF J		

E: Scandinavia & Europe H: Audio Club K: USA

P: Canada

T: England U: PX(Far East, Hawaii)

UE: AAFES(Europe)

X: Australia M: Other Areas

△ indicates safety critical components.

PARTS LIST

* New Parts

Parts without Parts No. are not supplied.

Les articles non mentionnés dans le Parts No. ne sont pas fournis.

Telle ohne Parts No. werden nicht geliefert.

Ref. No. 参照番号	Address 位置	New Parts 新	Parts No. 部品番号	Description 部品名 / 規格	Desti- nation 仕向	Re- marks 備考
C73			CE04KW1A101M	ELECTR0 100UF 10WV		
C74			C91-0769-05	CERAMIC 0.01UF M		
C75 ,76			CC45FSL1H221J	CERAMIC 220PF J		
C77 ,78			CK45FF1H223Z	CERAMIC 0.022UF Z		
C79			C91-0769-05	CERAMIC 0.01UF M		
C80			CE04KW1A471M	ELECTR0 470UF 10WV		
C81			CE04KW1E470M	ELECTR0 47UF 25WV		
C82			CE04KWOJ102M	ELECTR0 1000UF 6.3WV		
C83 ,84			CE04KWOJ471M	ELECTR0 470UF 6.3WV		
C85			C91-0737-05	CERAMIC 47PF J		
C86			C91-0745-05	CERAMIC 100PF K		
C87			C91-0757-05	CERAMIC 0.001UF K		
C88 ,89		*	CQ93HP2A122J	MYLAR 1200PF J		
C90 ,91			CE04KWOJ471M	ELECTR0 470UF 6.3WV		
C92 ,93			CQ09FS1H101JZS	P0LYSTY 100PF J		
C94 -101			CE04KW1H010M	ELECTR0 1.0UF 50WV		
C102,103		*	CQ93HP2A102J	MYLAR 1000PF J		
C104,105			CQ93HP2A152J	MYLAR 1500PF J		
C106,107			C90-1332-05	ELECTR0 10UF 25WV		
C108,109			CF92FV1H152J	MF 1500PF J	KPXTE	
C110,111			C90-1332-05	ELECTR0 10UF 25WV		
C112,113			CE04KW1V100M	ELECTR0 10UF 35WV		
C114			C91-0725-05	CERAMIC 15PF J		
C115			C90-1332-05	ELECTR0 10UF 25WV		
C116			CK45FF1H223Z	CERAMIC 0.022UF Z		
C117,118			CE04KW1H010M	ELECTR0 1.0UF 50WV		
C119			CK45FF1H223Z	CERAMIC 0.022UF Z		
C120,121			CK45FF1H473Z	CERAMIC 0.047UF Z		
C122			CE04KW1C331M	ELECTR0 330UF 16WV		
C123,124			C91-0174-05	P0LYSTY 47PF K		
C128			CE04KW1H2R2M	ELECTR0 2.2UF 50WV	M	
J1	1C		E11-0104-15	PHONE JACK (3P)		
J2	1E		E06-0806-05	CYLINDRICAL RECEPTACLE		
J3	1E		E13-0226-05	PHONE JACK (2P) OUTPUT		
247	2C		J21-3326-05	JACK MOUNTING HARDWARE		
L1			L32-0328-05	OSCILLATING COIL		
L2			L40-1092-14	SMALL FIXED INDUCTOR(1.0UH,M)		
L3 ,4			L79-0715-05	ACTIVE FILTER		
X1			L78-0211-05	RESONATOR (8.4672MHZ)		
X2			L78-0202-05	RESONATOR (400KHZ)		
X3			L78-0212-05	RESONATOR (6.1447MHZ)		
A	1E		N09-0295-05	HEXAGON HEAD BOLT(M3X8,+)		
Z	2C		N29-0035-05	PUSH RIVET (3.5X5.5)		
CP1		*	R90-0466-05	COMPOSITE ELEMENTS		
CP2			R90-0233-05	MULTI-COMP 10KX4 J 1/6W		
CP3			R90-0228-05	MULTI-COMP 10KX5 J 1/6W		
CP4			R90-0234-05	MULTI-COMP 10KX7 J 1/6W		
CP5			R90-0229-05	MULTI-COMP 10KX8 J 1/6W		
CP6			R90-0291-05	MULTI-COMP 100KX4 J 1/6W		
R1		*	RS14DB3A472J	FL-PROOF RS 4.7K J 1W		
R2			RS14KB3D680J	FL-PROOF RS 68 J 2W		
R4			RS14DB3A120J	FL-PROOF RS 12 J 1W		

E: Scandinavia & Europe H: Audio Club K: USA

P: Canada

T: England U: PX(Far East, Hawaii)

UE: AAFES(Europe)

X: Australia M: Other Areas

▲ indicates safety critical components.

PARTS LIST

* New Parts

Parts without Parts No. are not supplied.

Les articles non mentionnes dans le Parts No. ne sont pas fournis.

Teile ohne Parts No. werden nicht geliefert.

Ref. No. 参照番号	Address 位置	New Parts 新	Parts No. 部品番号	Description 部品名 / 規格	Desti- nation 仕向	Re- marks 備考
R33		*	RS14DB3D180J	FL-PROOF RS 18 J 2W		
R42			RS14DB3D220J	FL-PROOF RS 22 J 2W		
R62		*	RS14DB3D180J	FL-PROOF RS 18 J 2W		
R84			RS14DB3D3R3J	FL-PROOF RS 3.3 J 2W		
R123			RN14BK2C1212F	RN 12.1K F 1/6W		
R126,127			RN14BK2C1212F	RN 12.1K F 1/6W		
R128,129		*	RN14BK2C1472F	RN 14.7K F 1/6W		
R130,131			RN14BK2C1782F	RN 17.8K F 1/6W		
R132,133			RN14BK2C1212F	RN 12.1K F 1/6W		
R134,135		*	RN14BK2C5621F	RN 5.62K F 1/6W		
R136,137		*	RN14BK2C4642F	RN 46.4K F 1/6W		
R138,139		*	RN14BK2C1621F	RN 1.62K F 1/6W		
R140,141		*	RN14BK2C4642F	RN 46.4K F 1/6W		
R142,143			RN14BK2C1003F	RN 100K F 1/6W		
R144,145		*	RN14BK2C2150F	RN 215.0 F 1/6W		
R146,147			RN14BK2C1000F	RN 100.0 F 1/6W		
R148,149			RN14BK2C1002F	RN 10.0K F 1/6W		
VR1	1C		R10-4022-05	POTENTIOMETER(50K)LEVEL		
VR2			R12-3096-05	TRIMMING P8T. (10K)0DA		
K1			SS1-2074-05	MAGNETIC RELAY		
D1 -10			DSM1A1	DIODE		
D11			RD6.2E(B)	ZENER DIODE		
D12 -15		*	RD3.6F(B)	ZENER DIODE		
D16			RD10E(B)	ZENER DIODE		
D17 .18			1SS133	DIODE		
D17 .18			1SS176	DIODE		
D19			1SV147	VARISTOR		
D20 -27			1SS133	DIODE		
D20 -27			1SS176	DIODE		
D28 -32			1SS133	DIODE		
D28 -32			1SS176	DIODE	T	
D33			1SS133	DIODE		
D33			1SS176	DIODE		
D35			RD7.5JS(B)	ZENER DIODE		
D36 .37		*	RD5.1JS(B2)	ZENER DIODE		
D38 -43			1SS133	DIODE		
D38 -43			1SS176	DIODE		
D45			1SS133	DIODE		
D45			1SS176	DIODE		
IC1			CX23035	IC(DIGITAL SIGNAL PROCESSOR)		
IC2			CXK5816M	IC(2K BYTE X8 RAM (CMOS))		
IC2			HM6116FP-4	IC(16K RAM)		
IC2			MB8416-20LPF	IC(16K RAM(CMOS))		
IC3			CX20108	IC(CD SERVØ)		
IC4 .5			TA7256P	IC(OP AMP X2)		
IC6			AN6556	IC(OP AMP X2)		
IC6			NJM4558D	IC(OP AMP X2)		
IC7			TC40H000P	IC(NAND X4)		
IC8		*	TC40H157P	IC(QUAD 2-TØ-1 LINE DATA SEL		
IC9			UPD7516HCW-230	IC(MICROPROCESSØR)		
IC10			LM6416E-504	IC(MICROPROCESSØR)		
IC11		*	PST518B	IC(SYSTEM RESET)		
IC12			CX20152	IC(16-BIT D/A CONVERTER)		
IC13			TL084CN	IC(OP AMP X4)		

E: Scandinavia & Europe H: Audio Club K: USA

P: Canada

T: England U: PX(Far East Hawaii)



PARTS LIST

× New Parts

Parts without Parts No. are not supplied.

Les articles non mentionnés dans le Parts No. ne sont pas fournis.

Telle ohne Parts No. werden nicht geliefert.

Ref. No. 参照番号	Address 位置	New Parts 新	Parts No. 部品番号	Description 部品名 / 規格	Desti- nation 仕 向	Re- marks 備考
IC14			UPD4053BC	IC(3-INPUT 2CH MPX/DE-MPX)		
IC15			NJM4560D	IC(OP AMP X2)		
IC15			NJM4560D-N	IC(OP AMP X2)		
IC16		*	AN7805F	IC(VOLTAGE REGULATOR/ +15V)		
IC17		*	AN7905F	IC(VOLTAGE REGULATOR/ -5V)		
IC18			UPC78L12	IC(VOLTAGE REGULATOR/ +12V)		
IC19		*	AN7912F	IC(VOLTAGE REGULATOR/ -12V)		
IC20		*	AN7905F	IC(VOLTAGE REGULATOR/ -5V)		
IC21			UPC78L05	IC(VOLTAGE REGULATOR/ +5V)		
IC22			MS218P	IC(OP AMP X2)		
Q1			2SC3246	TRANSISTOR		
Q2			2SA1286	TRANSISTOR		
Q3			2SA1015(Y,GR)	TRANSISTOR		
Q3			2SA1127NC(R,S)	TRANSISTOR		
Q3			2SA733(A)(Q,P)	TRANSISTOR		
Q4			2SC1685(R,S)	TRANSISTOR		
Q4			2SC1815(Y,GR)	TRANSISTOR		
Q4			2SC945(A)(Q,P)	TRANSISTOR		
Q5			2SK246(Y,GR)	FET	F	
Q6			2SA1286	TRANSISTOR	M/	
Q7			2SA1015(Y,GR)	TRANSISTOR		
Q7			2SA1127NC(R,S)	TRANSISTOR	Tel	
Q7			2SA733(A)(Q,P)	TRANSISTOR		
Q8 ,9			2SC1685(R,S)	TRANSISTOR		
Q8 ,9			2SC1815(Y,GR)	TRANSISTOR		
Q8 ,9			2SC945(A)(Q,P)	TRANSISTOR		
Q10			2SA1015(Y,GR)	TRANSISTOR		
Q10			2SA1127NC(R,S)	TRANSISTOR		
Q10			2SA733(A)(Q,P)	TRANSISTOR		
Q11			2SD1302(S)	TRANSISTOR		
Q12			2SK246(BL)	FET		
Q13			2SK170(BL)	FET		
Q14 ,15			2SK125(3,4)	FET		
Q16 ,17			2SK246(Y,GR)	FET		
Q18			2SC1685(R,S)	TRANSISTOR		
Q18			2SC1815(Y,GR)	TRANSISTOR		
Q18			2SC945(A)(Q,P)	TRANSISTOR		
MECHANISM ASS'Y(X92-1060-02)						
1	3B	*	A10-0863-02	CHASSIS CALKING ASSY		
2	1B	*	A11-0174-03	SUB CHASSIS CALKING ASSY		
3	2B	*	A11-0132-03	SUB CHASSIS		
4	2B	*	A11-0134-03	SUB CHASSIS		
8	2B	*	B09-0044-04	CAP		
C1			C91-0085-05	CERAMIC 0.022UF N		
12	1A	*	D10-1266-03	SLIDER (L)		
13	2B	*	D10-1267-03	SLIDER (R)		
14	1A	*	D10-1268-03	SLIDER		
15	2A	*	D10-1269-08	ARM		
16	2B	*	D10-1270-04	ROD		
17	1B	*	D10-1271-03	ARM		
18	1A	*	D12-0105-15	CAM		
19	3B	*	D13-0159-08	GEAR		
20	3A	*	D13-0160-08	GEAR		

E: Scandinavia & Europe H: Audio Club K: USA

P: Canada

T: England U: PX(Far East Hawaii)

UE: AAFES(Europe)

X: Australia M: Other Areas

▲ indicates safety critical components.

PARTS LIST

* New Parts

Parts without Parts No. are not supplied.

Les articles non mentionnés dans le Parts No. ne sont pas fournis.

Teile ohne Parts No. werden nicht geliefert.

Ref. No. 参照番号	Address 位置	New Parts 新	Parts No. 部品番号	Description 部品名 / 規格	Desti- nation 仕向	Re- marks 備考
21	2A	*	D13-0161-03	GEAR		
22	2A		D13-0162-08	GEAR		
23	2A		D13-0163-08	GEAR		
24	2B	*	D13-0164-04	GEAR		
25	3A, 1B	*	D14-0106-04	ROLLER		
26	3A	*	D14-0107-04	ROLLER		
27	3B		D15-0220-08	PULLEY		
28	3B		D16-0104-08	BELT		
29	1B	*	D21-1051-04	SHAFT		
30	1B	*	D21-1052-04	SHAFT		
31	1A	*	D32-0122-04	STOPPER		
32	3B	*	D40-0353-05	DRIVE MECHANISM ASSY		
33	2A	*	D40-0354-05	DRIVE MECHANISM ASSY		
37	3A	*	F19-0348-04	BLIND PLATE		
40	2A	*	G11-1052-04	SOFT TAPE		
41	1B, 3B	*	G01-1710-04	COMPRESSION SPRING		
42	1A, 1B	*	G01-0675-04	TORSION COIL SPRING		
43	2B	*	G01-1523-04	EXTENSION SPRING		
44	2A	*	G01-1524-04	EXTENSION SPRING		
45	2A, 2B	*	G13-0166-04	CUSHION		
49	2A, 2B	*	J02-0158-05	INSULATOR		
51	1A	*	J11-0066-14	CLAMPER		
52	2B	*	J19-2153-04	HOLDER		
53	3A	*	J21-3507-08	MOUNTING HARDWARE ASSY		
54	2A	*	J21-3509-03	MOUNTING HARDWARE ASSY		
55	2A		J21-3511-08	MOUNTING HARDWARE ASSY		
56	2B	*	J21-3513-04	MOUNTING HARDWARE		
57	2B	*	J21-3672-04	MOUNTING HARDWARE		
58	2A		J25-4483-14	PRINTED WIRING BOARD		
59	3B	*	J31-0233-05	COLLAR (Ø4.1X8)		
60	3A	*	J90-0143-03	GUIDE		
61	1A	*	J90-0157-03	RAIL		
62	3B	*	J25-4660-03	PRINTED WIRING BOARD		
63	1B	*	J99-0024-12	TRAY		
64	2B	*	J99-0025-13	TRAY		
65	2B	*	J99-0026-13	TRAY		
			J61-0307-05	WIRE BAND		
74	2A		N29-0220-05	RETAINING RING (Ø2.4,CS)		
75	2A		N19-0143-04	FLAT WASHER (Ø3)		
77	1A, 3A	*	N19-0366-04	FLAT WASHER		
79	1A, 1B	*	N19-0882-04	FLAT WASHER		
			N29-0067-05	PUSH RIVET (3.5X4.5)		
80	3A		N29-0207-04	RETAINING RING (Ø2.5)		
J	2A, 2B		N09-1306-05	TAPPING SCREW (Ø3X6)		
K	2A, 2B	*	N09-1379-15	STEPPED SCREW (M2.6X15)		
L	2A, 2B	*	N09-1380-05	STEPPED SCREW (M2.6X5)		
M	3B	*	N09-1381-05	STEPPED SCREW (M5X26)		
P	3A		N19-0891-04	FLAT WASHER		
S1	3A, 2B	*	S46-1045-05	LEAF SWITCH		
S3	2A	*	S46-1046-05	LEAF SWITCH		

E: Scandinavia & Europe H: Audio Club K: USA

P: Canada

T: England U: PX(Far East, Hawaii)

UE: AAFES(Europe)

X: Australia M: Other Areas

▲ indicates safety critical components.

PARTS LIST

× New Parts

Parts without Parts No. are not supplied.

Les articles non mentionnés dans le Parts No. ne sont pas fournis.

Teile ohne Parts No. werden nicht geliefert.

Ref. No. 参照番号	Address 位置	New Parts 新	Parts No. 部品番号	Description 部品名 / 規格	Desti- nation 仕向	Re- marks 備考
84	3A		T42-0049-25	MØTØR ASSY		
85	2A		T42-0051-08	MØTØR ASSY		
86	2A	*	T42-0053-14	MØTØR ASSY		
87	1A	*	T50-1023-04	YØKE		
88	1A	*	T99-0222-05	MAGNET		

E: Scandinavia & Europe H: Audio Club K: USA P: Canada

T: England U: PX(Far East, Hawaii)

UE: AAFES(Europe) X: Australia M: Other Areas

 indicates safety critical components.

SPECIFICATIONS

Audio

Number of channels	2 channels
Frequency response	4 Hz - 20 kHz, ± 0.5 dB
Dynamic range	95 dB
Total harmonic distortion	0.0015% at 1 kHz
Channel separation	95 dB at 1 kHz
Wow & flutter	Unmeasurable limit
Line output level/output impedance	2 V/330 ohms
Headphones output level/impedance	32 mW/32 ohms

Disc

Playing time	Approx. 60 min/side
Diameter of the disc	120 mm (4-23/32")
Constant linear velocity	1.2 - 1.4 m/sec.

Signal format

Quantization	16 bits linear 1 channel
Sampling frequency	44.1 kHz
Channel modulation code	EFM (eight to fourteen modulation)

Pick up

Type	Optical pick up
Laser type	Semiconductor laser

General

Power requirements	120 V, 60 Hz (USA and Canada models) 120 V/220 - 240 V, 50/60 Hz (Switchable) (Other Countries)
Power consumptions	15 W
Dimensions	W 440 mm (17-5/16") H 88 mm (3-7/16") D 313 mm (12-5/16")
Weight (Net)	6.0 kg (13.2 lb)
Supplied accessories	Remote control unit RC-2000, Connection cables

Note:

We follow a policy of continuous advancements in development.
For this reason specifications may be changed without notice.

Note :

Component and circuitry are subject to modification to insure best operation under differing local conditions. This manual is based on, the U.S.A. (K) standard, and provides information on regional circuit modification through use of alternate schematic diagrams, and information on regional component variations through use of parts list.

TRIO-KENWOOD CORPORATION

Shionogi Shibuya Building, 17-5, 2-chome Shibuya, Shibuya-ku, Tokyo 150, Japan

KENWOOD ELECTRONICS
DIVISION OF KENWOOD U.S.A. CORPORATION
1315 E. Watsoncenter Rd., Carson, California 90745, U.S.A.
75 Seaview Drive, Secaucus, New Jersey 07094, U.S.A.

TRIO-KENWOOD CANADA INC.
1070 Jayson Court, Mississauga, Ontario, Canada L4W 2V5

TRIO-KENWOOD ELECTRONICS, N.V.
Leuvensesteenweg 504 B-1930 Zaventem, Belgium

TRIO-KENWOOD ELECTRONICS GmbH
Pambrücker Str. 15, 6056 Heusenstamm, West Germany

TRIO-KENWOOD FRANCE S.A.
5, Boulevard Ney, 75018 Paris, France

TRIO-KENWOOD (AUSTRALIA) PTY. LTD. (INCORPORATED IN N.S.W.)
4E Woodcock Place, Lane Cove, N.S.W. 2066, Australia

KENWOOD & LEE ELECTRONICS, LTD.
Wang Kee Building, 5th Floor, 34-37, Connaught Road, Central, Hong Kong

PARTS LIST

× New Parts
 Parts without Parts No. are not supplied.
 Les articles non mentionnés dans le Parts No. ne sont pas fournis.
 Teile ohne Parts No. werden nicht geliefert.

Ref. No. 参照番号	Address 位置	New Parts 新	Parts No. 部品番号	Description 部品名 / 規格	Desti- nation 仕向	Re- marks 備考
DP-1000						
201	1C	*	A01-1440-01	METALLIC CABINET		
202	2D	*	A20-4599-03	PANEL ASSY	KPUMUE	
202	2D	*	A20-4599-03	PANEL ASSY	XE	
202	2D	*	A20-4600-03	PANEL ASSY	T	
203	1C	*	A29-0059-03	PANEL ASSY		
204	1C	*	A70-0129-05	REMOTE CONTROLLER ASSY	KPUMUE	
204	1C	*	A70-0129-05	REMOTE CONTROLLER ASSY	XE	
204	1C	*	A70-0130-05	REMOTE CONTROLLER ASSY	T	
208	1C	*	B07-1415-02	ESCUTCHEON (TRAY)		
209	2D	*	B11-0124-04	SMOKED FILTER		
-			B46-0092-03	WARRANTY CARD	K	
-			B46-0094-03	WARRANTY CARD	UUE	
-			B46-0095-03	WARRANTY CARD	UUE	
			B46-0096-13	WARRANTY CARD	X	
			B46-0121-03	WARRANTY CARD	P	
			B46-0122-13	WARRANTY CARD	E	
			B46-0123-03	WARRANTY CARD	T	
		*	B50-5911-00	INSTRUCTION MANUAL (ENGLISH)	KPUMUE	
		*	B50-5911-00	INSTRUCTION MANUAL (ENGLISH)	XE	
		*	B50-5912-00	INSTRUCTION MANUAL (FRENCH)	PMXE	
		*	B50-5913-00	INSTRUCTION MANUAL (SPANISH)	M	
		*	B50-5914-00	INSTRUCTION MANUAL (ENGLISH)	T	
		*	B50-5915-00	INSTRUCTION MANUAL (G, D, I)	E	
-			B58-0223-04	CAUTION CARD (PRE-SET 120V)	U	
-			B58-0269-04	CAUTION CARD	K	
-			B58-0326-04	CAUTION CARD		
-			B58-0327-04	CAUTION CARD		
-			B58-0389-04	CAUTION CARD		
-			B58-0513-04	CAUTION CARD (PRESET220-240)	UUE	
-			B59-0092-00	SERVICE DIRECTORY	UUE	
D1	1D		B30-0431-05	LED(LN21CPH) (DISC INDICATOR)		
△ C1			C91-0023-05	CERAMIC 0.01UF AC250V	UMUE	
△ C1			C91-0647-05	CERAMIC 0.01UF P	KPXTE	
△ 214	1C		E30-0505-05	AUDIO CORD		
△ 215	1E		E30-0459-05	AC POWER CORD	E	
△ 215	1E		E30-0780-05	AC POWER CORD	KP	
△ 215	1E		E30-0812-05	AC POWER CORD	UMUE	
△ 215	1E		E30-1341-05	AC POWER CORD	X	
△ 215	1E		E30-1416-05	AC POWER CORD	T	
217	2C		G13-0439-04	CUSHION (55X10X1)		
-		*	H01-5672-04	ITEM CARTON CASE	KPUMUE	
-		*	H01-5672-04	ITEM CARTON CASE	XE	
-		*	H01-5673-04	ITEM CARTON CASE	T	
-		*	H10-1856-02	POLYSTYRENE FOAMED FIXTURE		
-		*	H10-1857-12	POLYSTYRENE FOAMED FIXTURE		
-			H20-0417-04	PROTECTION COVER(460X370X360)	M	
-			H25-0224-04	PROTECTION BAG (800X400)	KPUUEX	
-			H25-0224-04	PROTECTION BAG (800X400)	TE	
-			H25-0232-04	PROTECTION BAG (235X350)		
223	2D, 2E		J02-0126-05	FOOT		

E: Scandinavia & Europe H: Audio Club K: USA P: Canada


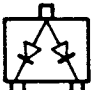
T: England U: PX(Far East, Hawaii)

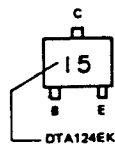
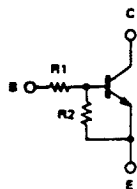
UUE: AAFES(Europe) X: Australia M: Other Areas

△ indicates safety critical components.

CLASSIFICATION OF CHIP PARTS

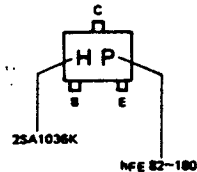
チップ部品の見方/Classification of Chip parts

Digital transistor/デジタルトランジスタ	Symbol/記号	R1	R2	Transistor/トランジスタ	Symbol/記号	Diode/ダイオード
DTA/DTC114EK	14/24	10k	10k	2SA1036K	H <input type="checkbox"/>	DAN202K Silver/シルバー
DTA/DTC114YK	54/64	10k	47k	2SA1037K	F <input type="checkbox"/>	
DTA/DTC114TK	94/04	10k	—	2SC2411K	C <input type="checkbox"/>	DAP202K Green/グリーン
DTA/DTC124EK	15/25	22k	22k	2SC2412K	B <input type="checkbox"/>	
DTA/DTC124XK	35/45	22k	47k	2SC2413K	A <input type="checkbox"/>	
DTA/DTC143EK	13/23	4.7k	4.7k	2SC2059K	J <input type="checkbox"/>	
DTA/DTC143TK	93/03	4.7k	—	2SC3082K	S <input type="checkbox"/>	
DTA/DTC144EK	16/26	47k	47k	2SB852K	U <input type="checkbox"/>	
DTA/DTC144WK	76/86	47k	22k	2SD1383K	W <input type="checkbox"/>	
DTA/DTC143XK	33/45	4.7k	10k	2SD1757K	AA <input type="checkbox"/>	
				2SD1328	ID <input type="checkbox"/>	
				2SC2412LN	L <input type="checkbox"/>	



hFE

- M : 39~ 82
- N : 56~ 120
- P : .82~ 180
- Q : 120~ 270
- R : 180~ 390
- S : 270~ 560
- E : 390~ 820
- U : 560~ 1200
- A : 1000~
- B : 5000~



ABGLEICH

NR.	GEGENSTAND	EINGANGS-EINSTELLUNG	AUSGANGS-EINSTELLUNG	SPIELER-EINSTELLUNG	ABGLEICH-PUNKT	ABGLEICHUNG	ABB.
13	SPURHALTEVERSTÄRKUNG EINSTELLUNG	Eine Test-Disc, die so einwandfrei wie möglich sein sollte, auflegen und laden.	Eine Servo Einstellvorrichtung an CM4 von X29-1632(A/4) anschließen. (f=1,0kHz. V OUT=40mVrms)	Normale Wiedergabe	YR1 von X29-1632(B/6) drehen.	So einstellen, daß der an die Vorrichtung angeschlossene Millivoltmeter 40mVrms anzeigt.	(g)
14	DAC EINSTELLUNG	Test-Disc YDS-7 TYPE 3	Einen Millivoltmeter an den Ausgangsanschluss anschließen.	Wiedergabe 1 kHz, 0dB Signal	YR2 X32-1050(A/4) drehen.	So einstellen, daß ein Ausgangspegel zwischen 1,9 und 2,0Vrms erhalten wird.	(h)

Hinweis : Die Test-Betriebsart ist der Zustand, in der die Spannungsversorgung nach Kurzschließen von TP12 (TEST-12) und TP13 (D.GND-13) in der Signalverarbeitungseinheit (X32-1050-00) (A/4) eingeschaltet wurde.
Für Einzelheiten siehe das Wartungshandbuch des DP-2000.

Beugungsgitter-Einstellung

In der Test-Betriebsart einstellen
(nur mit Fokus-Servo)

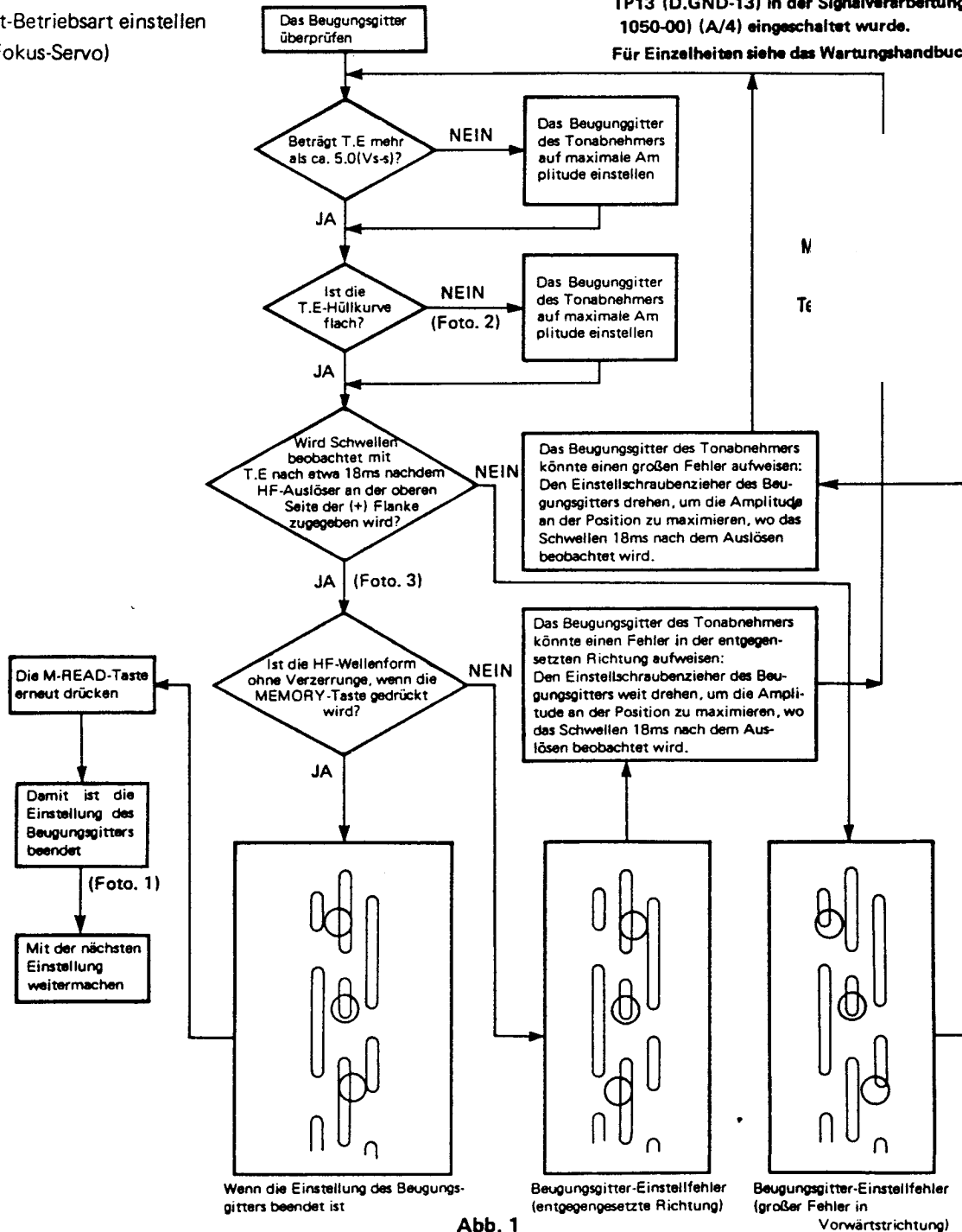


Abb. 1